



DV 35 / DV 40 / DV 50

Two Post Inground Lift

Parts Breakdown

ET320305-en

© MAHA Maschinenbau Haldenwang GmbH & Co. KG

Legal notice based on ISO 16016:

The reproduction, distribution and utilization of this document as well as the communication of its contents to others without explicit authorizations is prohibited. Offenders will be held liable for the payment of damages. All rights reserved in the event of the grant of a patent, utility model or design.

The contents of this edition have been checked with great care. However. Errors cannot be fully excluded. Subject to technical change without notice.

Document

Document N^o: ET320305-en
Approval Date: 20.11.2012

Manufacturer

MAHA Maschinenbau Haldenwang GmbH & Co. KG
Hoyen 20
87490 Haldenwang
Germany

Phone: +49 (0) 8374 585 0
Fax: +49 (0) 8374 585 497
Fax Parts: +49 (0) 8374 585 565
Internet: <http://www.slift.de>
E-Mail: vertrieb@slift.de
Hotline: +49 (0) 180 56242 60 for Brake Testers and Test Lanes
+49 (0) 180 56242 80 for Automotive Lifts
+49 (0) 180 56242 90 for Dynamometers and Emission Testers

Service

AutomoTec GmbH
Maybachstraße 8
87437 Kempten
Germany
Phone: +49 (0) 180 56242 50
Fax: +49 (0) 180 56242 55
Internet: <http://www.automo-tec.com>
E-Mail: service@automo-tec.com

Contents

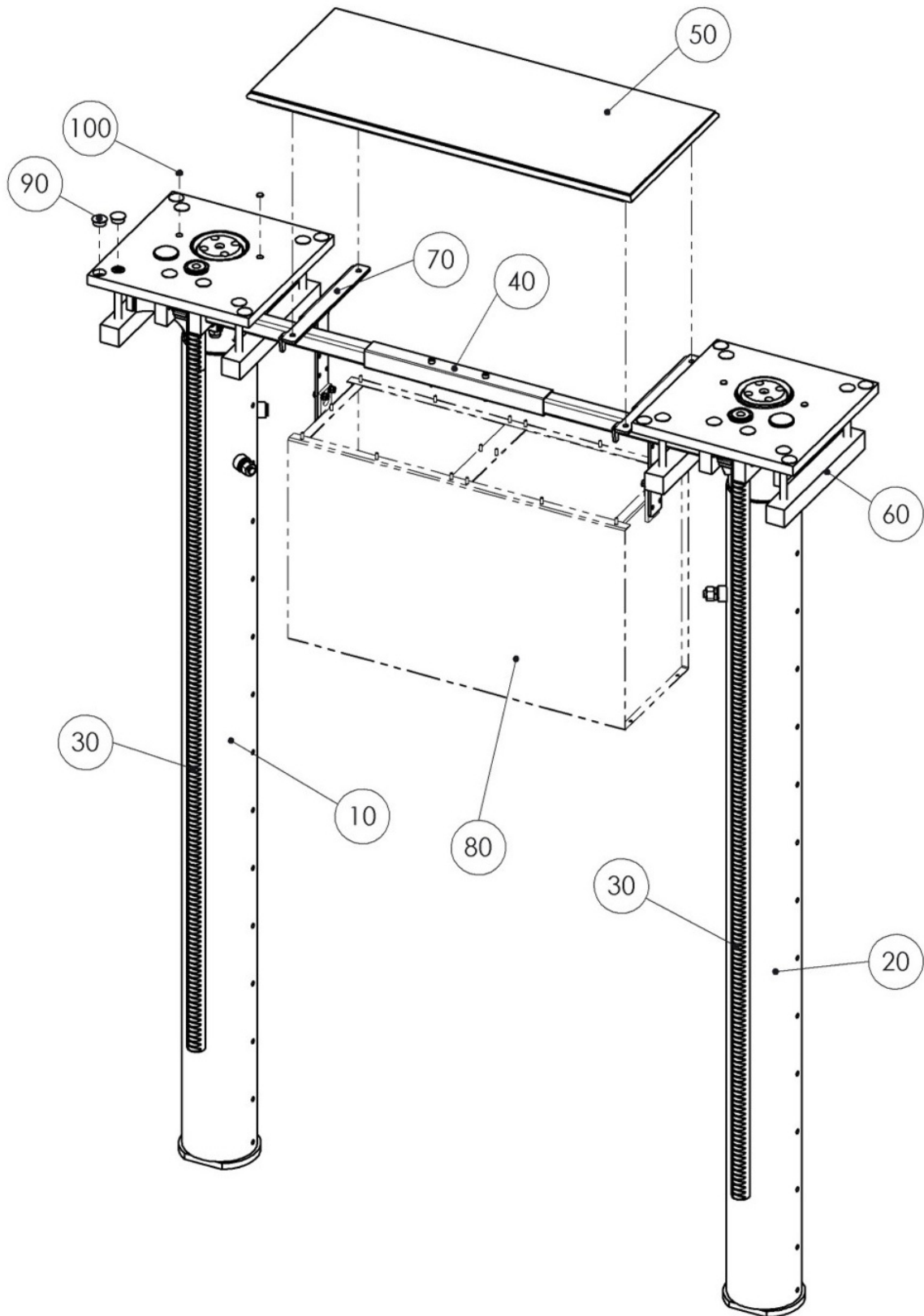
DV 35 / DV 40 / DV 50

1	Lifting Unit	4
1.1	Cylinder DV 35	6
1.2	Cylinder DV 40	7
1.3	Cylinder DV 50	8
1.4	Transmissions / Bearings	9
1.5	Racks	13
1.6	Synchronizing Connections	14
1.7	Hydraulic Power Units	15
2	Pad-Type Superstructure	16
2.1	Extension Options	17
3	Swing Arms	20
3.1	Swing Arm-Type Superstructure (DV35/40) KX / KX SP	20
3.2	Swing Arm-Type Superstructure (DV35/40) KXX / KXX SP	22
3.3	Swing Arm-Type Superstructure (DV50) KX / KXX	24
3.4	Swing Arm-Type Superstructure (DV40) KX	26
3.5	Swing Arm-Type Superstructure (DV50) KX	28
3.6	Swing Arm-Type Superstructure (DV50) KXX	30
3.7	Swing Arm Options	32
4	Runways	36
4.1	Pneumatic Components (Runways)	38
4.2	Compensation Set	40
4.3	Cable Conduit	41
4.4	Modular Runways	42
5	Runway Accessories	45
5.1	Cross Members	45
5.2	Ramps / Roll-off Protections	47
5.3	Accessories (Runway-Type Superstructure)	51
5.4	Runway Supports	56
5.5	Floor Cover	58
5.6	Modification (Axle Jack)	63
5.7	Antiskid Coating	65
5.8	Slide Plates	66
6	Electrical Equipment	73
6.1	Control Boxes	73
6.2	Lifts	85
6.3	Options	88

1 Lifting Unit

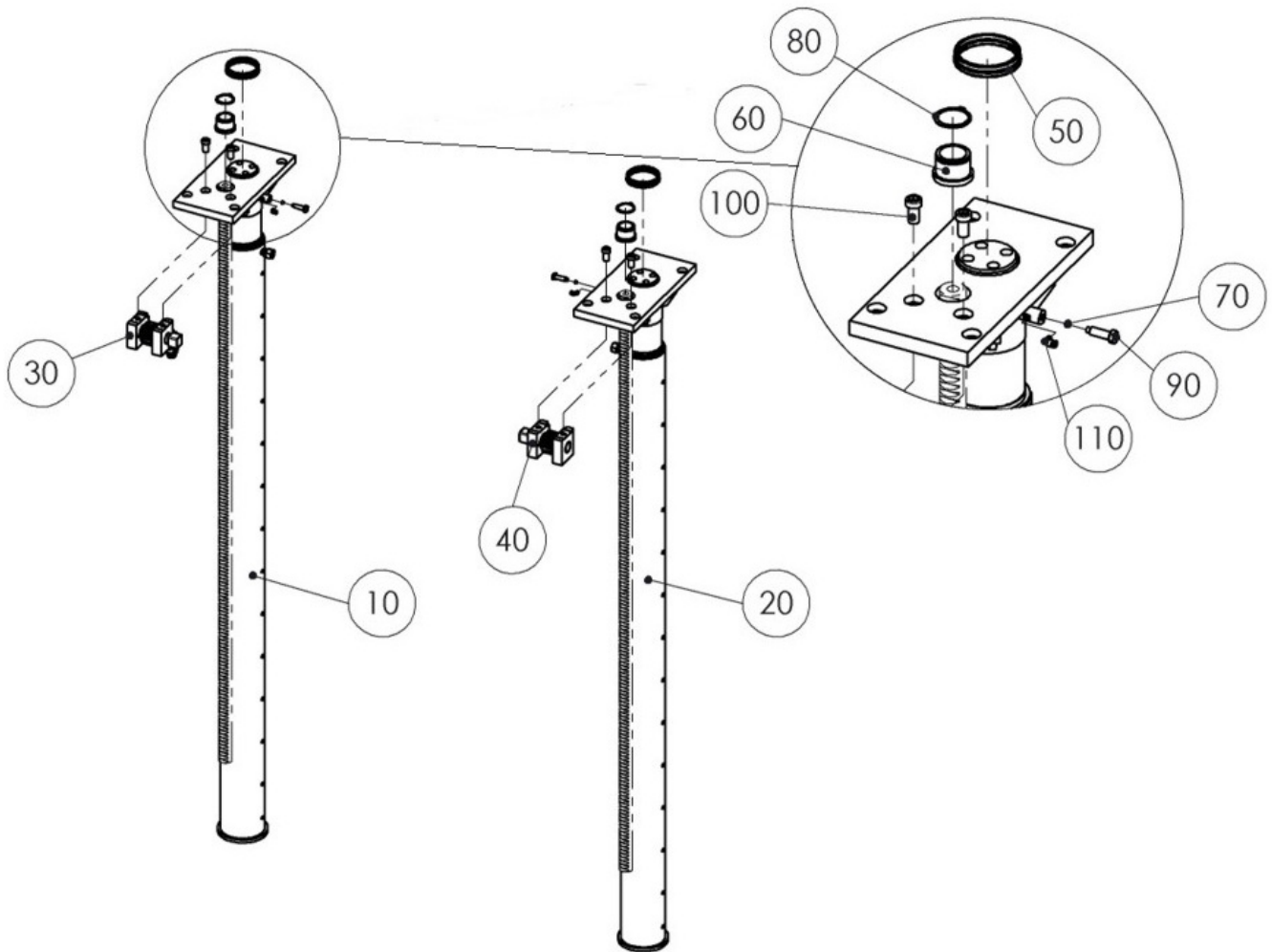
Lifting cylinder options available upon request:

- Shorter stroke
- Extra low synchronization
- Synchronisation with chain deflection



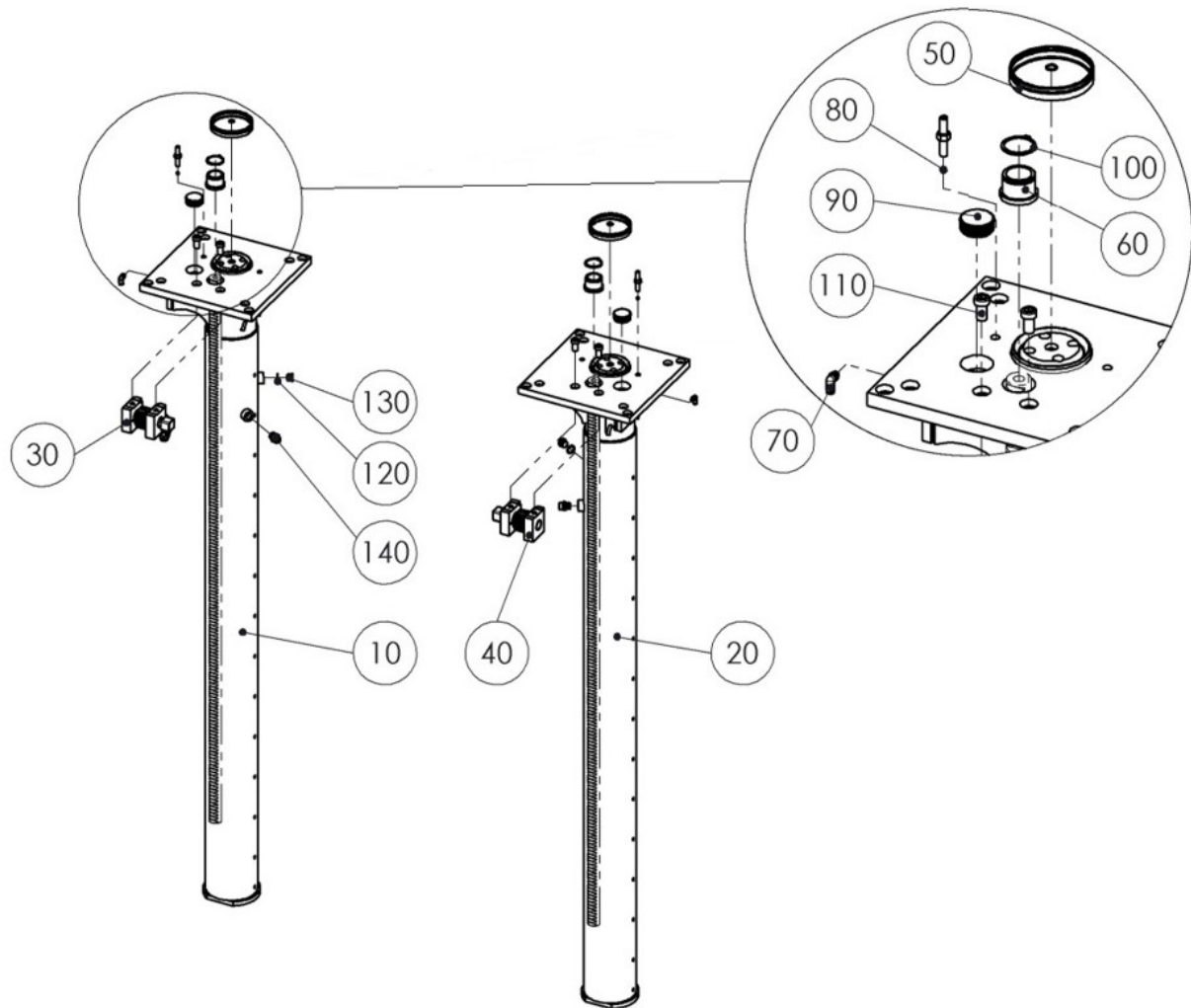
Item No.	Spare Part	Description	Tooltip	Article Number
10	Cylinder, Left	DV35; Stroke=1900mm	Section 1.1	031020 00020 0
	Cylinder, Left	DV40; Stroke=1900mm	Section 1.2	031020 00002 0
	Cylinder, Left	DV50; Stroke=1900mm	Section 1.3	031020 00054 0
20	Cylinder, Right	DV35; Stroke=1900mm	Section 1.1	031020 00021 0
	Cylinder, Right	DV40; Stroke=1900mm	Section 1.2	031020 00003 0
	Cylinder, Right	DV50; Stroke=1900mm	Section 1.3	031020 00055 0
30	Rack		Section 1.5	
40	Synchr. Connection	PD=1350mm	Section 1.6	D 25.18-1350
	Synchr. Connection	PD=2300mm	Section 1.6	D 25.18-2300
50	Cover	f. DVC Instal. Box 100mm		DVL D.100
	Cover	f. DVC Instal. Box 475mm		DVL D.475
	Cover	f. DVC Instal. Box 950mm		DVL D.950
	Cover	f. DVC Instal. Box 1150mm		DVL D.1150
60	Clamping Device	DV35		031020 00045 0
	Clamping Device	DV40		DV40.19.1-013
	Clamping Device	DV50		DV60.19.1-013
70	Holder			DH 35-021
80	Hydr. Power Unit	DV35	Section 1.7	031021 00008 0
	Hydr. Power Unit	DV35 / DV40	Section 1.7	031020 00181 0
	Hydr. Power Unit	DV40 / DV50	Section 1.7	031021 00010 0
90	Plug			31 5031
100	Plug			NSST340SW04

1.1 Cylinder DV35



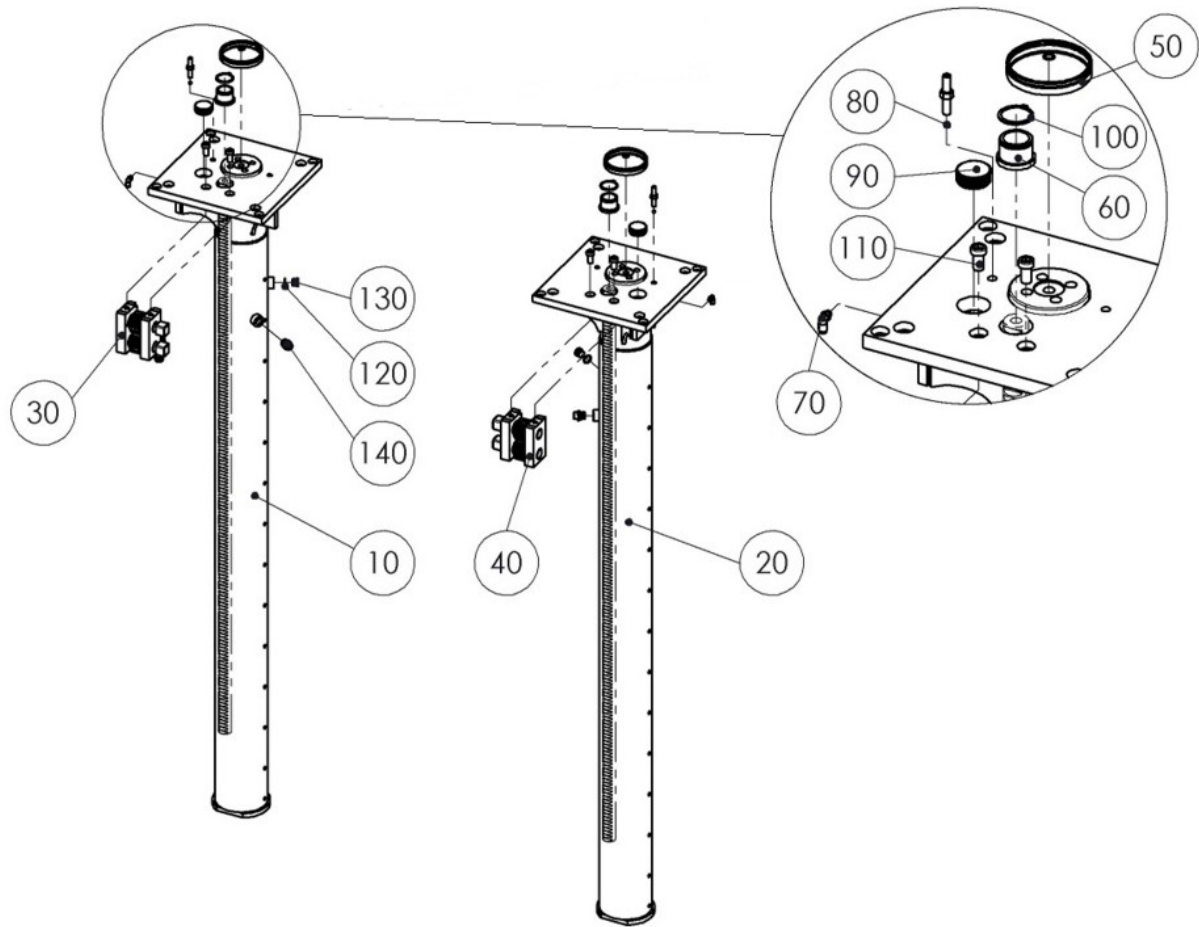
Item No.	Spare Part	Description	Tooltip	Article Number
10	Cylinder Left, Assy	Stroke = 1900mm		031020 00020 0
20	Cylinder Right, Assy	Stroke = 1900mm		031020 00021 0
30	Transmission	f. CE-Stop	Section 1.4.1	DV30.19-300P
40	Bearing		Section 1.4.2	DV30.19-300R
50	Seal Set			DVDS30.S
60	Guide Bushing			DV30.18-014
70	Ball	ø9mm		NK0.09
80	Snap Ring	ø50x2		22 0471 050 1
90	Hex Head Screw	M12x40		22 0561 12040 1
100	Allen Screw	M16x30		22 6912 16030 1
110	Threaded Elbow Joint			28 9043

1.2 Cylinder DV40



Item No.	Spare Part	Description	Tooltip	Article Number
10	Cylinder Left, Assy	Stroke = 1900mm		031020 00002 0
20	Cylinder Right, Assy	Stroke = 1900mm		031020 00003 0
30	Transmission	f. CE-Stop	Section 1.4.1	DV30.19-300P
40	Bearing		Section.1.4.2	DV30.19-300R
50	Seal Set			DVDS50
60	Guide Bushing			DV30.18-014
70	Screw Connection	R 1/8"		NPVSL0532540
80	Ball	ø9mm		NK0.09
90	Plug			NSST320GL55
100	Snap Ring	ø50x2		22 0471 050 1
110	Allen Screw	M16x30		22 6912 16030 1
120	Sealing Washer	A21		22 7603 212715
130	Screw Plug	R 1/2"		27 4756
140	Straight Fitting			NHVSXGE15

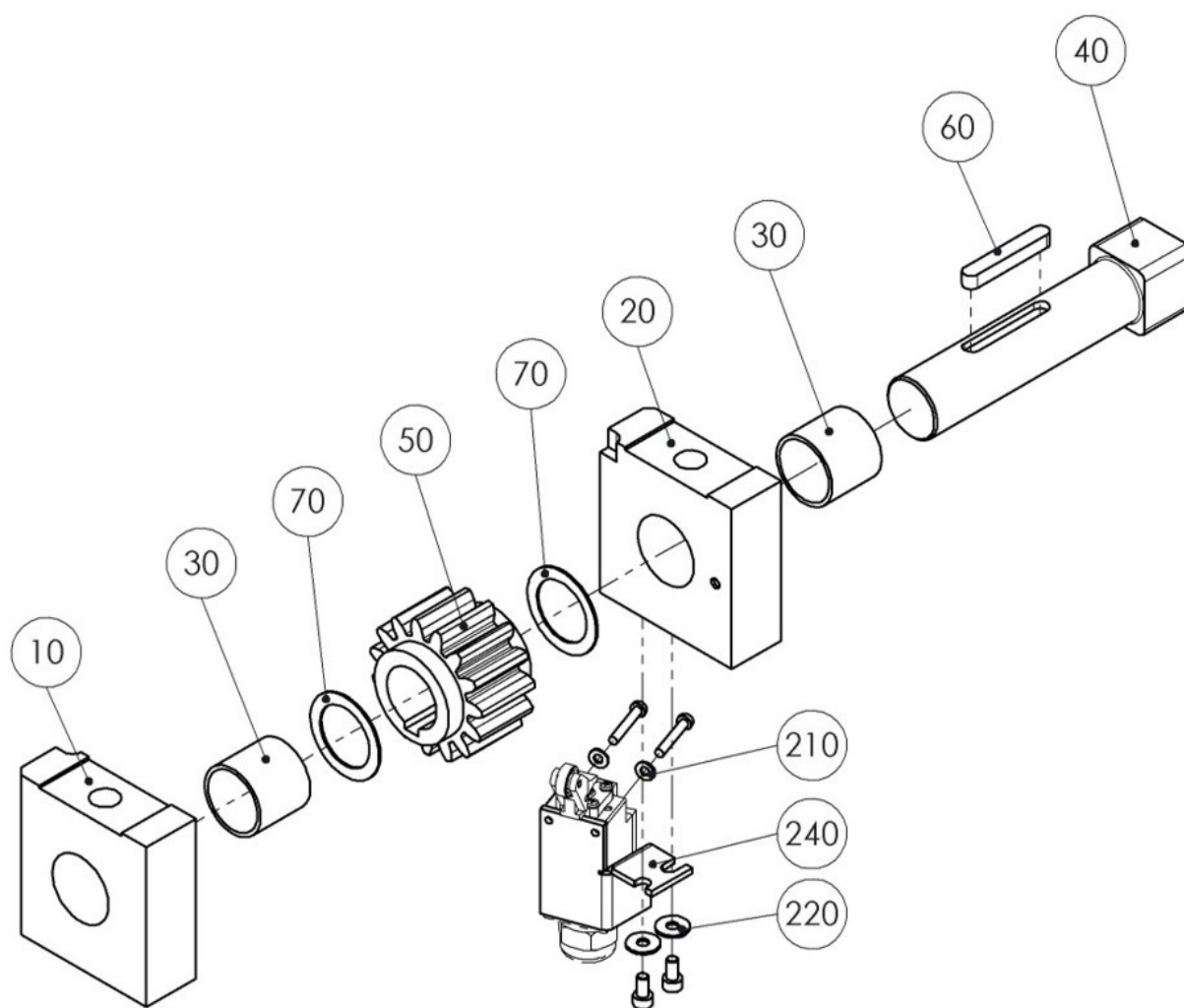
1.3 Cylinder DV50



Item No.	Spare Part	Description	Tooltip	Article Number
10	Cylinder Left, Assy	Stroke = 1900mm		031020 00054 0
20	Cylinder Right, Assy	Stroke = 1900mm		031020 00055 0
30	Transmission	f. CE-Stop	Section 1.4.3	DV60.19P300
40	Bearing		Section 1.4.4	DV60.19.1-300R
50	Seal Set			DVDS50
60	Guide Bushing			DV30.18-014
70	Screw Connection	R 1/8"		NPVSL0532540
80	Ball	ø9mm		NK0.09
90	Plug			NSST320GL55
100	Snap Ring	ø50x2		22 0471 050 1
110	Allen Screw	M16x30		22 6912 16030 1
120	Sealing Washer	A21		22 7603 212715
130	Screw Plug	R 1/2"		27 4756
140	Straight Fitting			NHVSXGE15

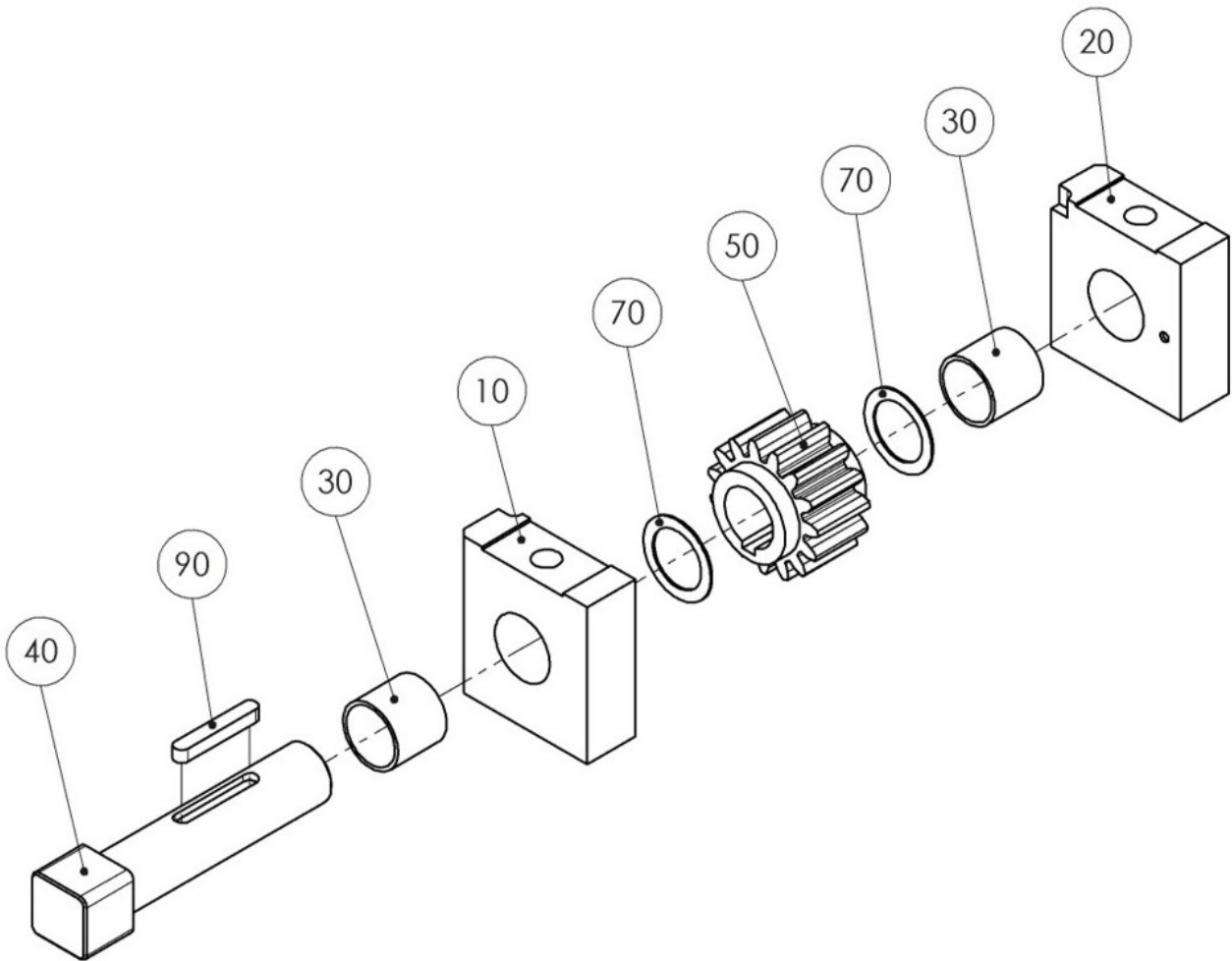
1.4 Transmissions / Bearings

1.4.1 Transmission DV35/DV40 (DV30.19-300P)



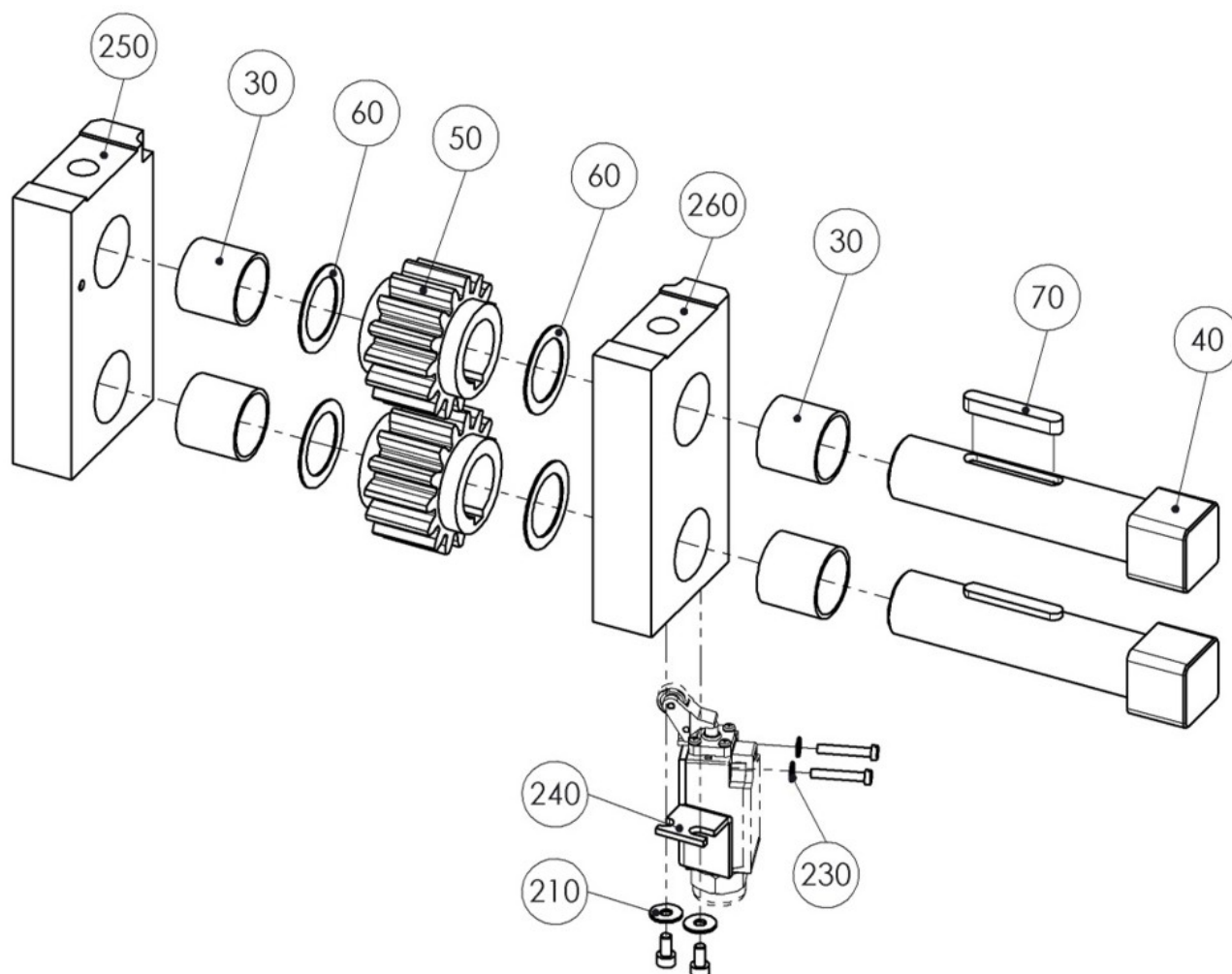
Item No.	Spare Part	Description	Article Number
10	Bearing	Left	DV30.18-310L
20	Bearing	Right f. Acoustic Signal	DV45.19-311R
30	Socket		NLB.303430A
40	Shaft		DV30.18-320
50	Spur Gear		DV30.18-330
60	Feather Key		22 6885 080750
70	Shim Ring	ø30x42x1	22 0988 304210
210	Washer	M4	22 0125 04 2
220	Washer	M5	22 9021 05 1
240	Holder	f. Limit Switch	021020 00003 0

1.4.2 Bearing DV35/DV40 (DV30.19-300R)



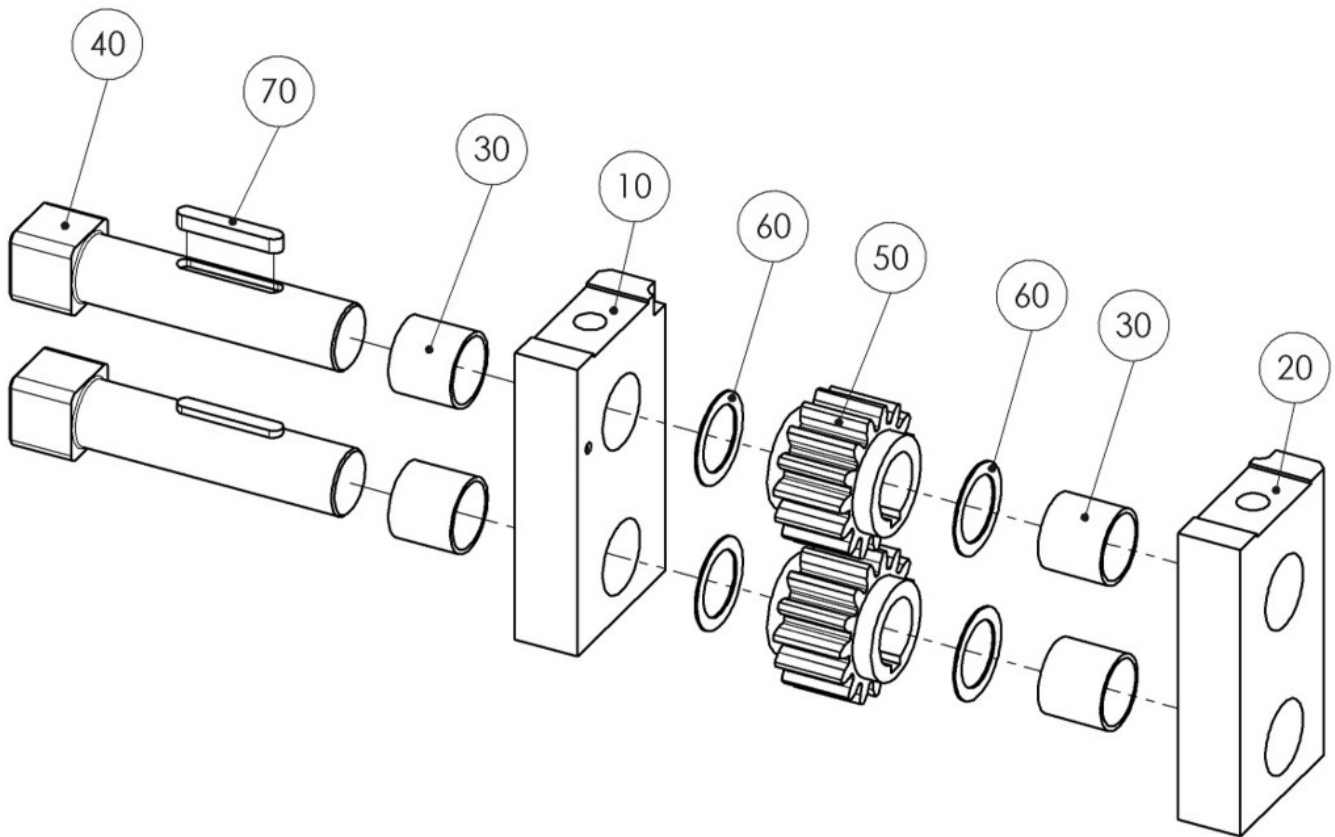
Item No.	Spare Part	Description	Article Number
10	Bearing	Left	DV30.18-310L
20	Bearing	Right	DV30.18-310R
30	Socket		NLB.303430A
40	Shaft		DV30.18-320
50	Spur Gear		DV30.18-330
70	Shim Ring	ø30x42x1	22 0988 304210
90	Feather Key		22 6885 080750

1.4.3 Transmission, twice DV50 (DV60.19P300)



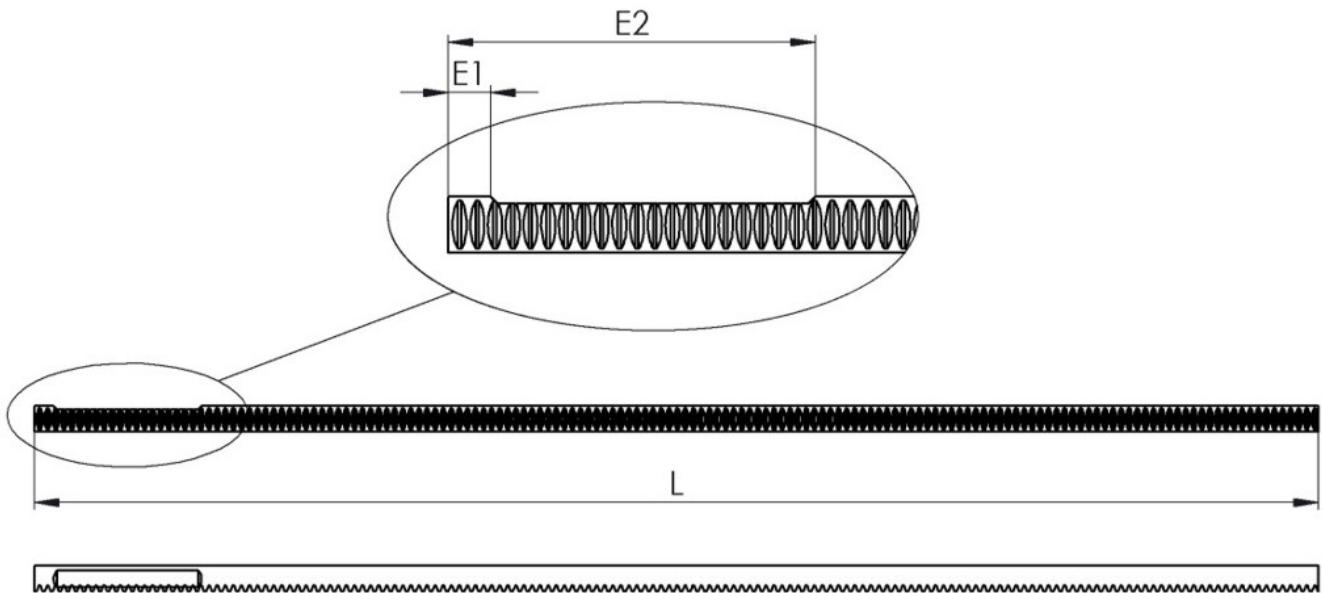
Item No.	Spare Part	Description	Article Number
30	Socket		NLB.303430A
40	Shaft		DV30.18-320
50	Spur Gear		DV30.18-330
60	Shim Ring	ø30x42x1	22 0988 304210
70	Feather Key		22 6885 080750
210	Washer	M5	22 9021 05 1
230	Washer	M4	22 0125 04 1
240	Holder	f. Limit Switch	021020 00003 0
250	Bearing	Left	DV60.19-310L
260	Bearing	Right f. Acoustic Signal	DV60.19-311R

1.4.4 Bearing, twice DV50 (DV60.19.1-300R)



Item No.	Spare Part	Description	Article Number
10	Bearing	Left	DV60.19-310L
20	Bearing	Right	DV60.19-311R
30	Socket		NLB.303430A
40	Shaft		DV30.18-320
50	Spur Gear		DV30.18-330
60	Shim Ring	ø30x42x1	22 0988 304210
70	Feather Key		22 6885 080750

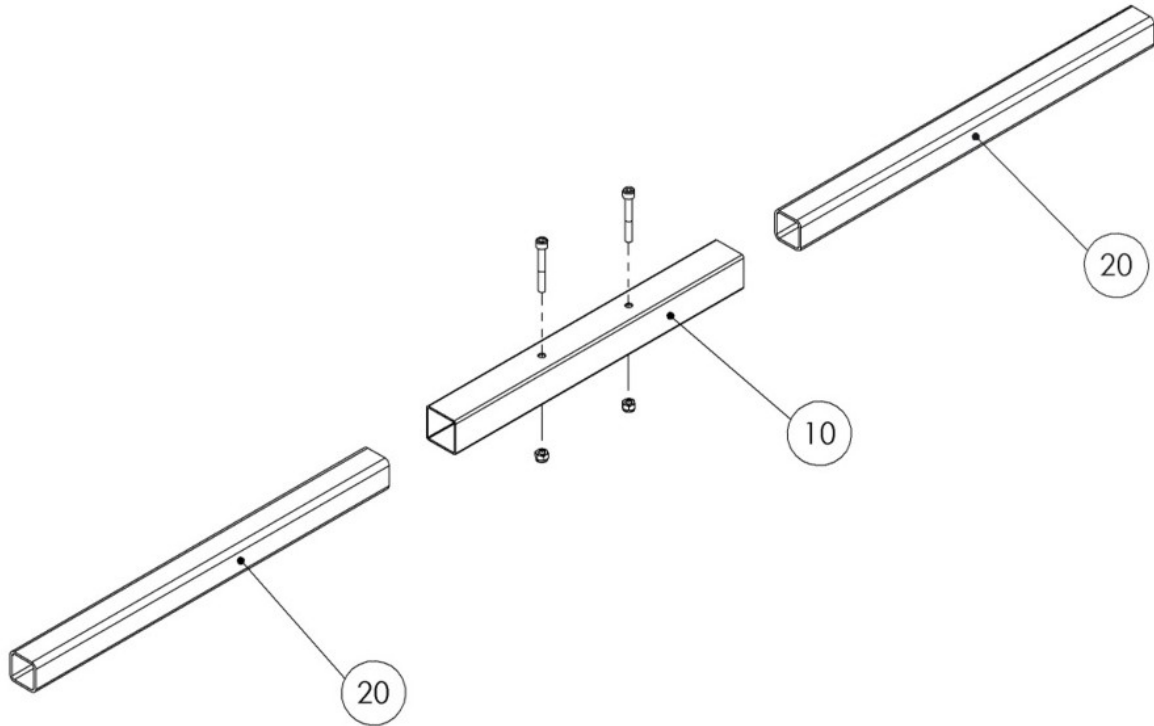
1.5 Racks



Item No.	Spare Part	Description	Article Number
10	Rack w/o Milled Slot	L=2000mm	D 25.18-400
	Rack w/o Milled Slot	L=2250mm	DV60.19-400
	Rack w/o Milled Slot	L=2450mm	DV60.21-400
20	Rack	L=2000mm; E1=30mm; E2=260mm	DV30.18-400
	Rack	L=2250mm; E1=30mm; E2=260mm	DV60.19-440
	Rack	L=2450mm; E1=440mm; E2=690mm	DV50D19-440
30	Rack, Floor Level	L=2000mm; E1=128mm; E2=488mm	DV30.18-420
	Rack, Floor Level	L=2250mm; E1=58mm; E2=508mm	DV60.19-420

1.6 Synchronizing Connections

Synchronization for external installation boxes and chain deflection available upon request.

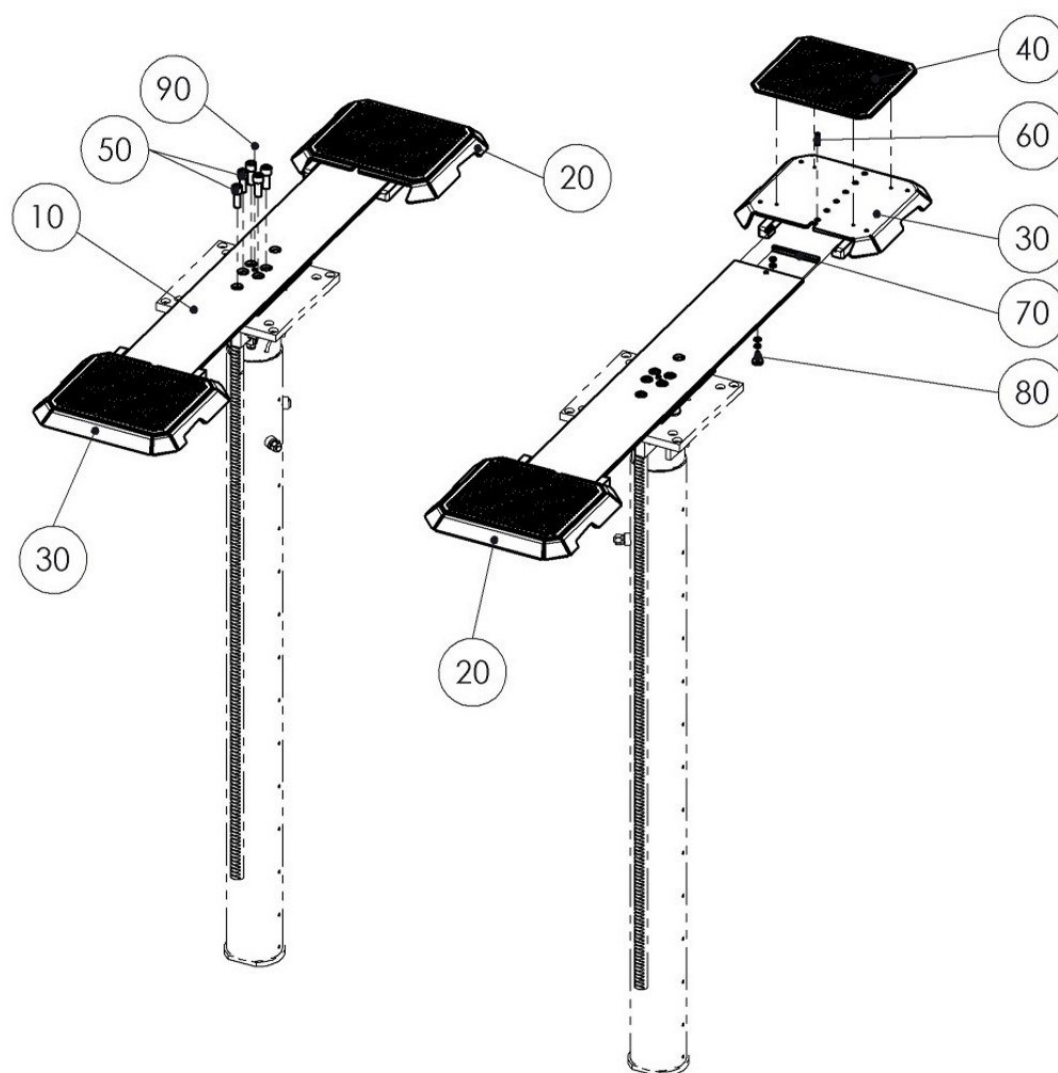


Item No.	Spare Part	Description	Article Number
	Synchronizing Connection	PD=1350mm	D 25.18-1350
	Synchronizing Connection	PD=2300mm	D 25.18-2300
10	Connecting Tube		D 25.18-1353
20	Torsion Tube	545mm lg.	D 25.18-1352
	Torsion Tube	1020mm lg.	D 25.18-2303

1.7 Hydraulic Power Units

in work

2 Pad-Type Superstructure




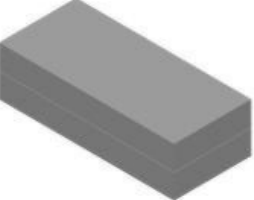


Item No.	Spare Part	Description	Article Number
10	Pad-Type Superstructure	Standard; RC60	D-R535.20-10
	Pad-Type Superstructure	Standard; RC72	D5R535.20-10
	Pad-Type Superstructure	Short; RC60	D-R535.17DC-10
	Pad-Type Superstructure	Short; RC72	031022 00081 0
	Pad-Type Superstructure	Sports Car; RC60	D-R525.20SP-10
	Pad-Type Superstructure	Sports Car; RC72	031022 00082 0
20	Extension	2000mm Version 1	031022 00044 0
30	Extension	2000mm Version 2	031022 00045 0
40	Rubber Plate	with Screws	031022 00069 0
50	Allen Screw	M20x50	22 0912 20050 3
60	Grooved Pin		22 1473 1240 1
70	Edge Protection Profile		53 6246
80	Rubber Buffer		NGFBM10X 30Z
90	Plug		NSST340SW04

2.1 Extension Options

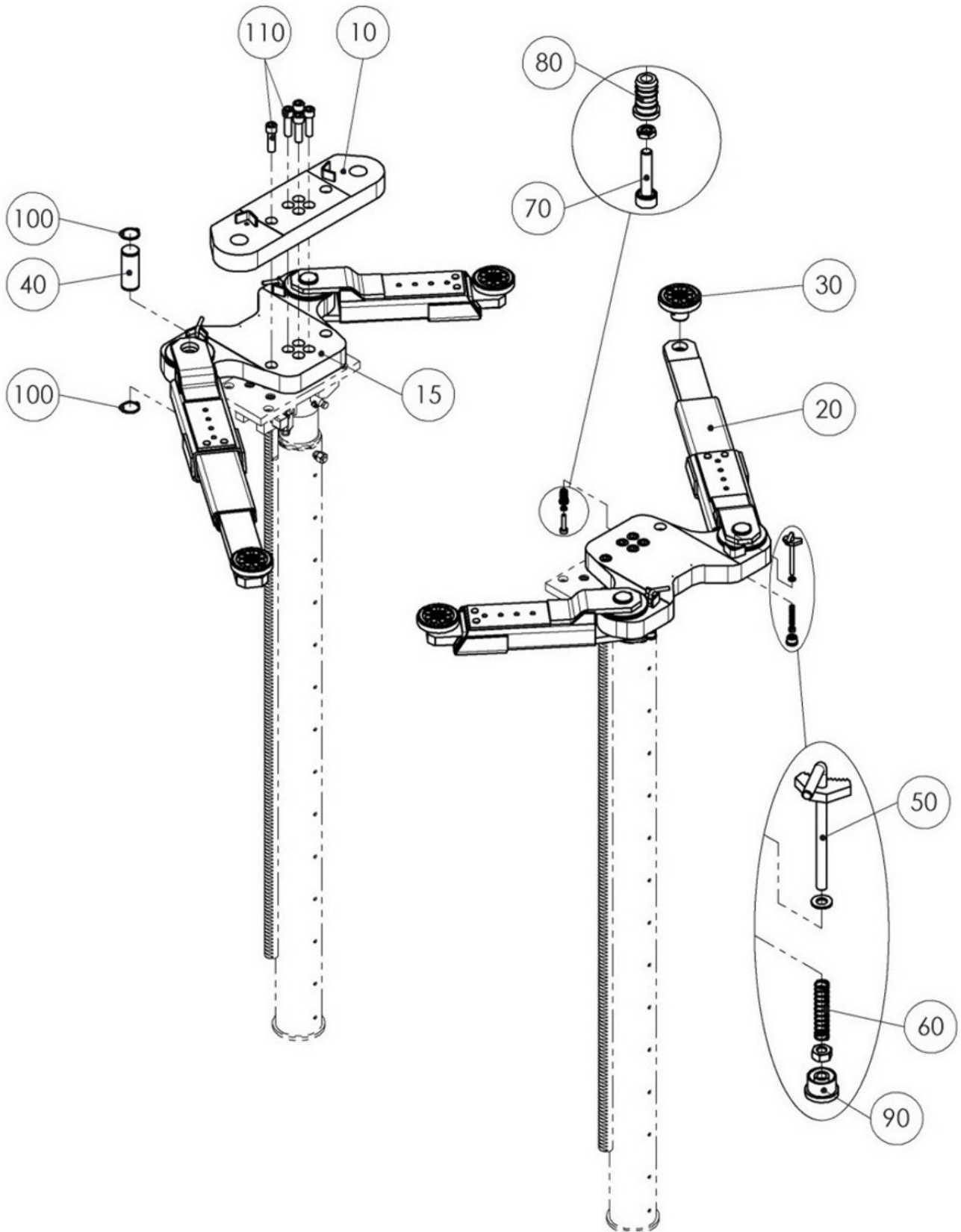
Thumbnail	Spare Part	Description	Product	Article Number
	Extension 2000mm Version 1	Hot-Dip Galvanized	Standard	031022 00044 0
	Extension 2000mm Version 2	Hot-Dip Galvanized	Standard	031022 00045 0
	Extension 2000mm Version 1	MAHA Hot-Dip Galvanized	Standard	031022 00040 0
	Extension 2000mm Version 2	MAHA Hot-Dip Galvanized	Standard	031022 00041 0
	Extension 2000mm Version 1	Granulate Coated	(VZ 972423)	031022 00062 0
	Extension 2000mm Version 2	Granulate Coated	(VZ 972423)	031022 00063 0
	Extension 2200mm Version 1	Hot-Dip Galvanized	(VZ 972414)	031022 00048 0
	Extension 2200mm Version 2	Hot-Dip Galvanized	(VZ 972414)	031022 00049 0

Thumbnail	Spare Part	Description	Product	Article Number
	Extension 2200mm Version 1	MAHA Hot-Dip Galvanized	(VZ 972414)	031022 00046 0
	Extension 2200mm Version 2	MAHA Hot-Dip Galvanized	(VZ 972414)	031022 00047 0
	Extension 2200mm Version 1	Granulate Coated	(VZ 972423)	031022 00066 0
	Extension 2200mm Version 2	Granulate Coated	(VZ 972423)	031022 00067 0
	R5G 3.5 Version 1		(VZ 972453)	031022 00095 0
	R5G 3.5 Version 2		(VZ 972453)	031022 00096 0
	Rubber Plate with Screws	SLIFT		031022 00069 0
	Rubber-Metal Buffer			NGFBM10X 30Z

Thumbnail	Spare Part	Description	Product	Article Number
	Plastic Support	47x132x340mm	(VZ 975069)	31 6900
	Pyramid Block	120x120x80mm	(VZ 975634)	GK 12/8
	Rubber Block	100x150x20mm	(VZ 975586)	17000007
	Rubber Block	150x150x60mm	(VZ 975632)	23000251
	Rubber Block	95x150x340mm	(VZ 970045)	31 6901

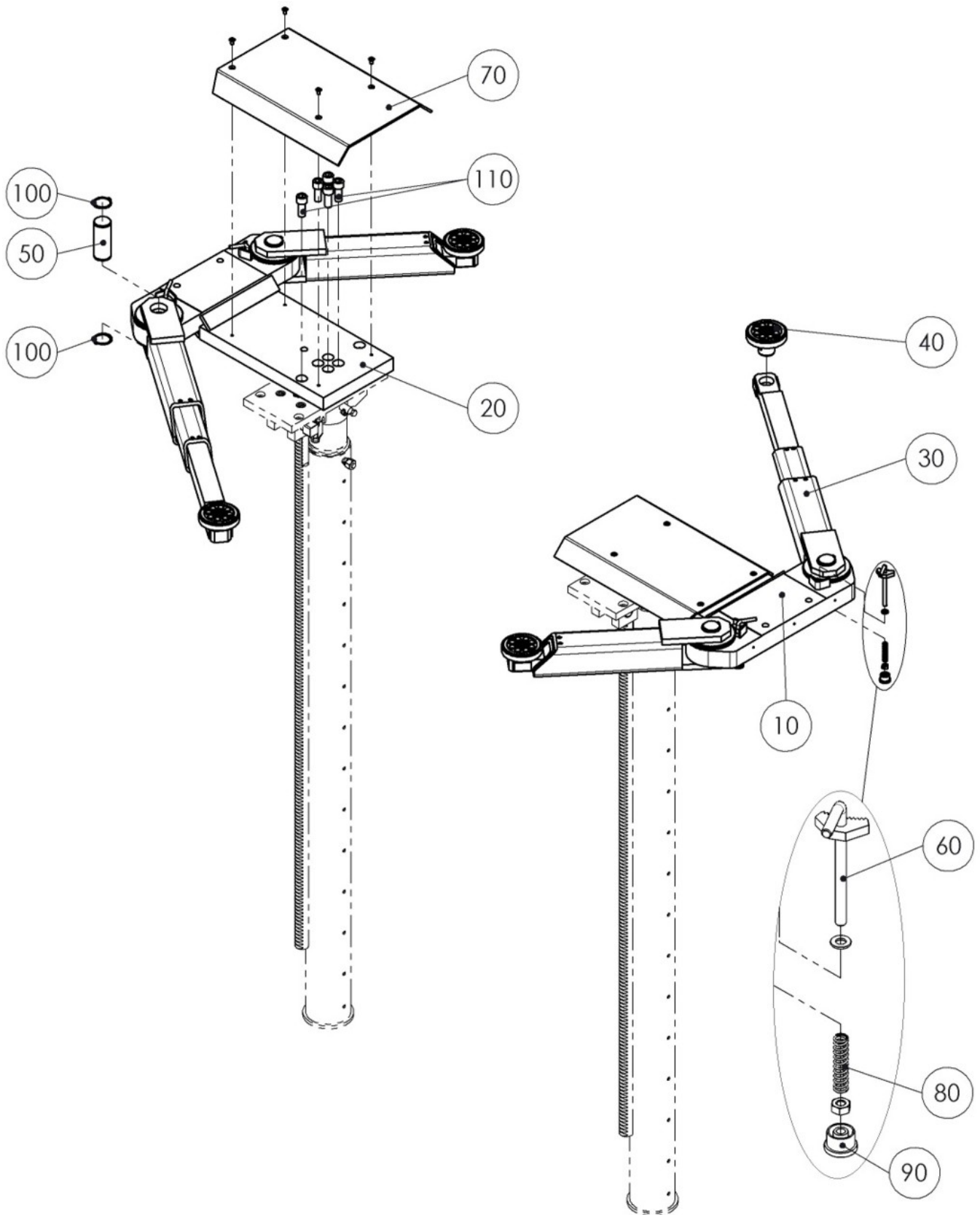
3 Swing Arms

3.1 Swing Arm-Type Superstructure (DV35/40) KX / KX SP



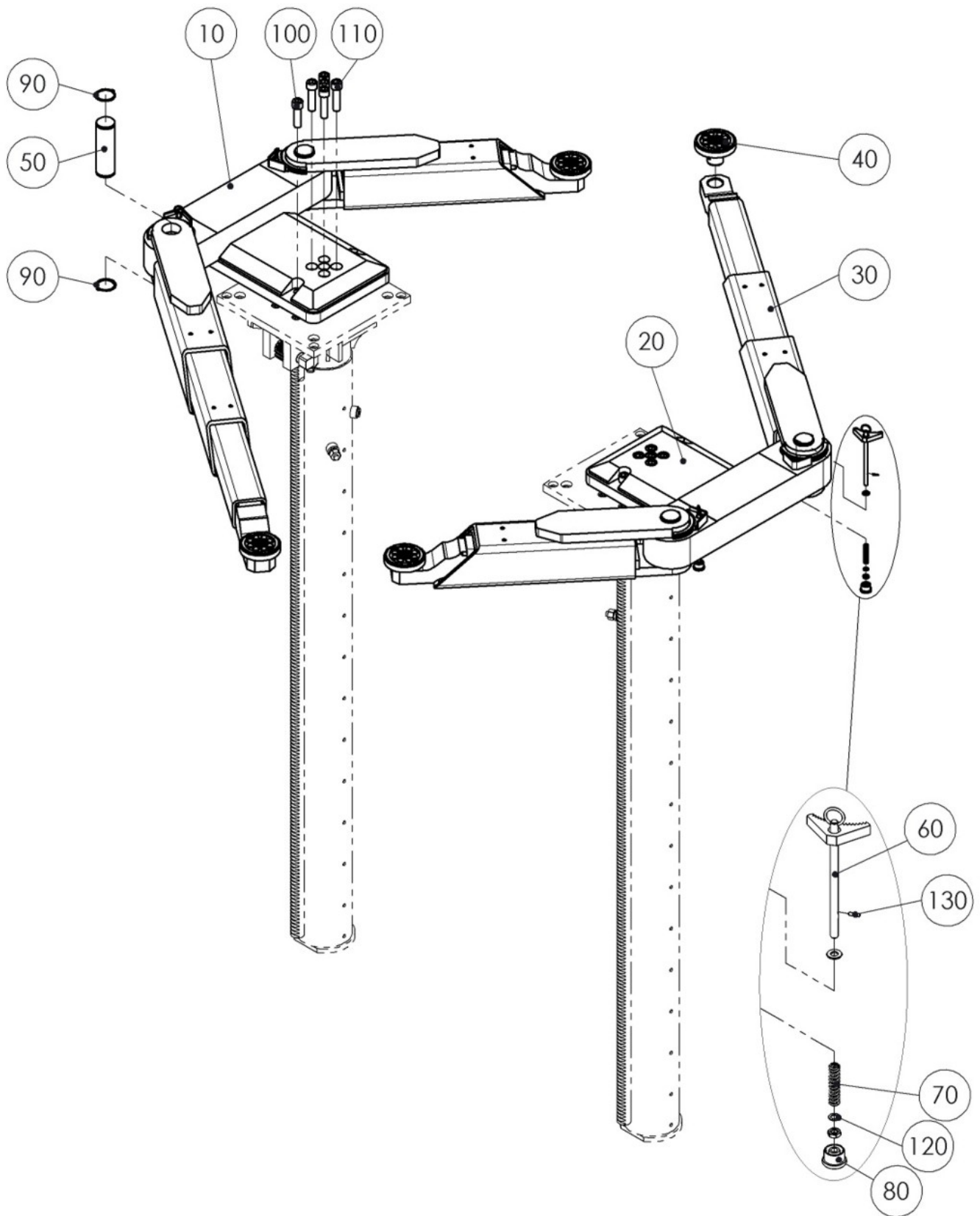
Item No.	Spare Part	Description	Tooltip	Article Number
10	Head Plate	RC60		D-KX.30SP-10
	Head Plate	RC72		D-KX.35-10
15	Head Plate	RC60		031022 00210 0
	Head Plate	RC72		031022 00208 0
20	Swing Arm	KX 3.5t		031022 00212 0
	Swing Arm	KX 4.0t		031022 00201 0
	Telescopic Arm	KX SP		D-KX.30SP-20
30	Support Disk		Section 3.7	03 36 31260
40	Pin			D-KX.35-220
50	Lock			D-KX.35-225
60	Pressure Spring			NFD.12012062
70	Adjusting Foot			NGFBM10X 50Z
80	Plug			NSSTRGM2510-01H
90	Support Knob			NSSTZN403202
100	Snap Ring	ø50x2		22 0471 050 1
110	Allen Screw	M20x70		22 0912 20070 2

3.2 Swing Arm-Type Superstructure (DV35/40) KKK / KKK SP



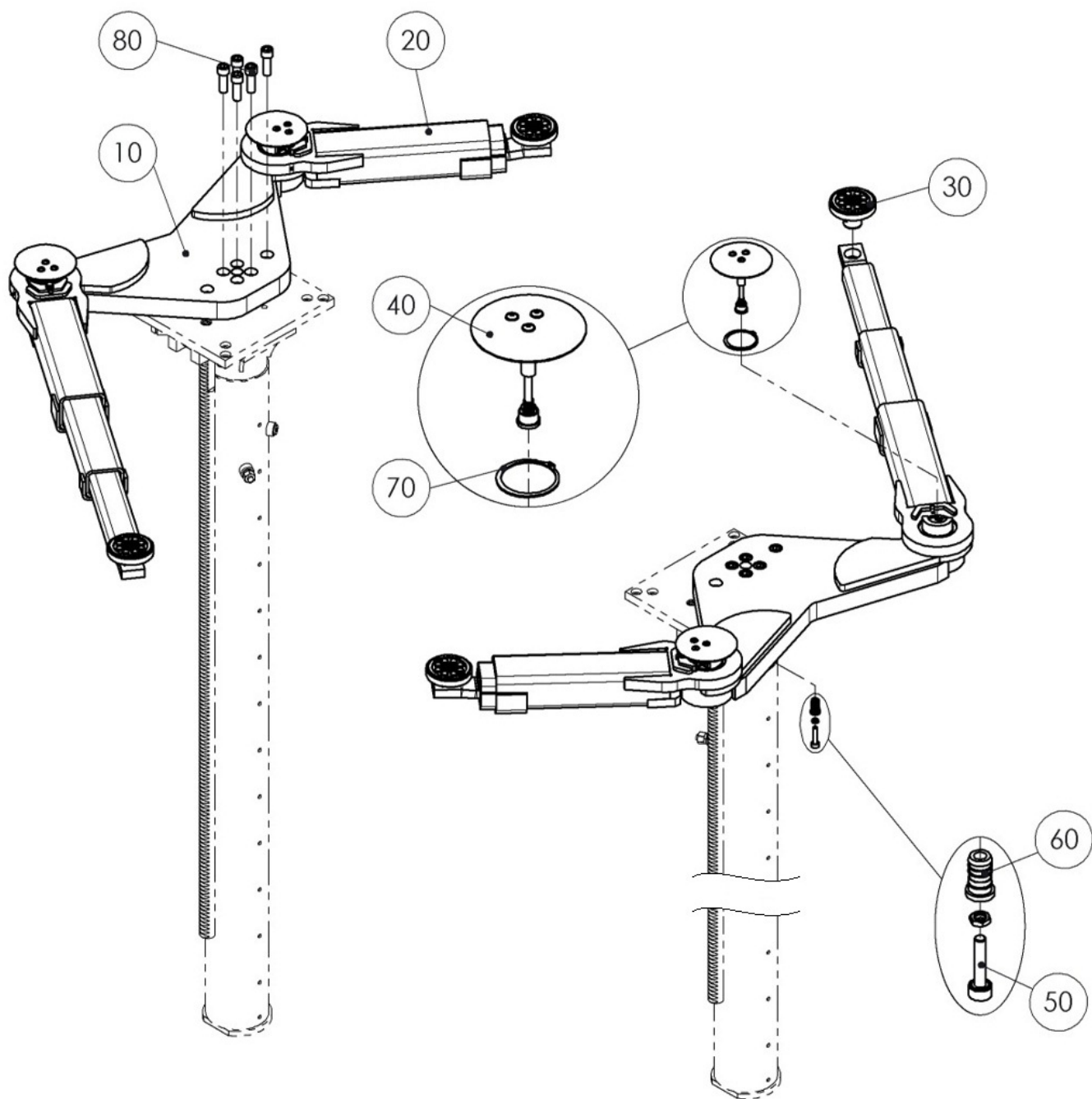
Item No.	Spare Part	Description	Tooltip	Article Number
10	Bolster	Left 3.5t		D-KKX.32-10L
	Bolster	Left 4.0t		D-KKX.35-10L
20	Bolster	Right 3.5t		D-KKX.32-10R
	Bolster	Right 4.0t		D-KKX.35-10R
30	Swing Arm	KKX 3.5t		031022 00212 0
	Swing Arm	KKX 4.0t		031022 00201 0
	Telescopic Arm	KKX SP		D-KX.30SP-20
40	Support Disk		Section 3.7	03 36 31260
50	Pin			D-KX.35-220
60	Lock			D-KX.35-225
70	Approach Plate			D-KKX.32-13
80	Pressure Spring			NFD.12012062
90	Support Knob			NSSTZN403202
100	Snap Ring	ø50x2		22 0471 050 1
110	Allen Screw	M20x50		22 0912 20050 2

3.3 Swing Arm-Type Superstructure (DV50) KX / KKK



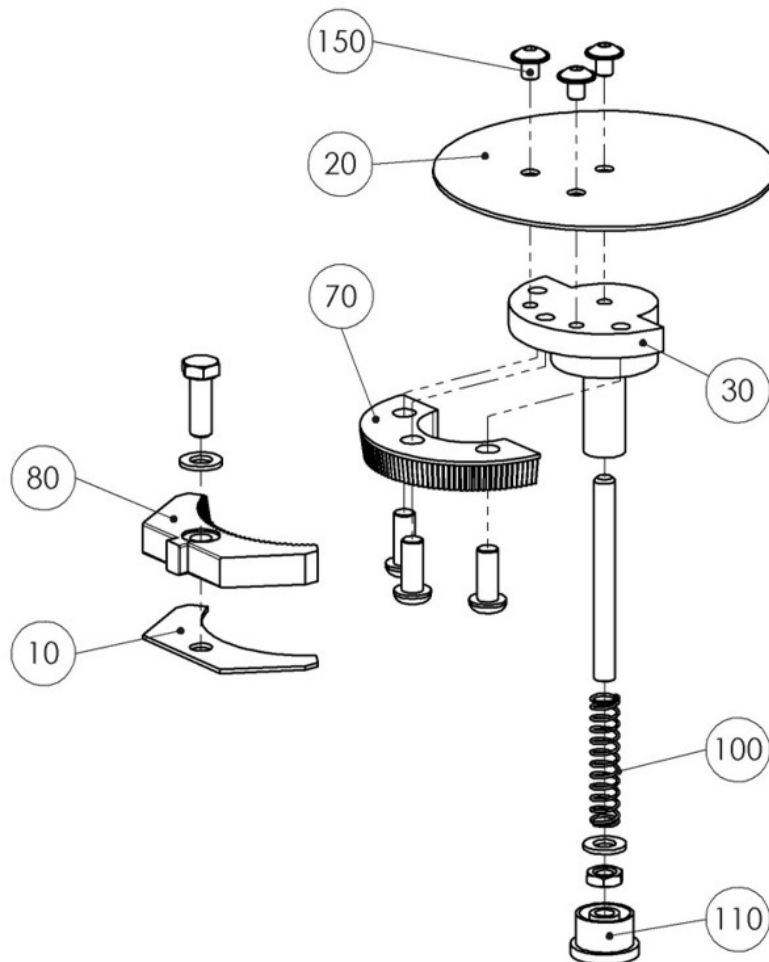
Item No.	Spare Part	Description	Tooltip	Article Number
10	Bolster	Left KS		031022 00244 0
	Bolster	Left RS		031022 00247 0
20	Bolster	Right KS		031022 00245 0
	Bolster	Right RS		031022 00248 0
30	Swing Arm			031022 00241 0
	Swing Arm	Flat		031022 00243 0
40	Support Disk		Section 3.7	03 36 31260
50	Axle Pin			021022 00145 0
60	Lock			031022 00246 0
70	Pressure Spring			NFD.12012062
80	Support Knob			NSSTZN403202
90	Snap Ring	ø55x2		22 0471 055 1
100	Allen Screw	M20x70		22 0912 20070 2
110	Allen Screw	M20x80		22 0912 20080 2
120	Shim Ring	ø10x16x1		22 0988 101610
130	Dowel Pin			22 1481 03016

3.4 Swing Arm-Type Superstructure (DV40) KX



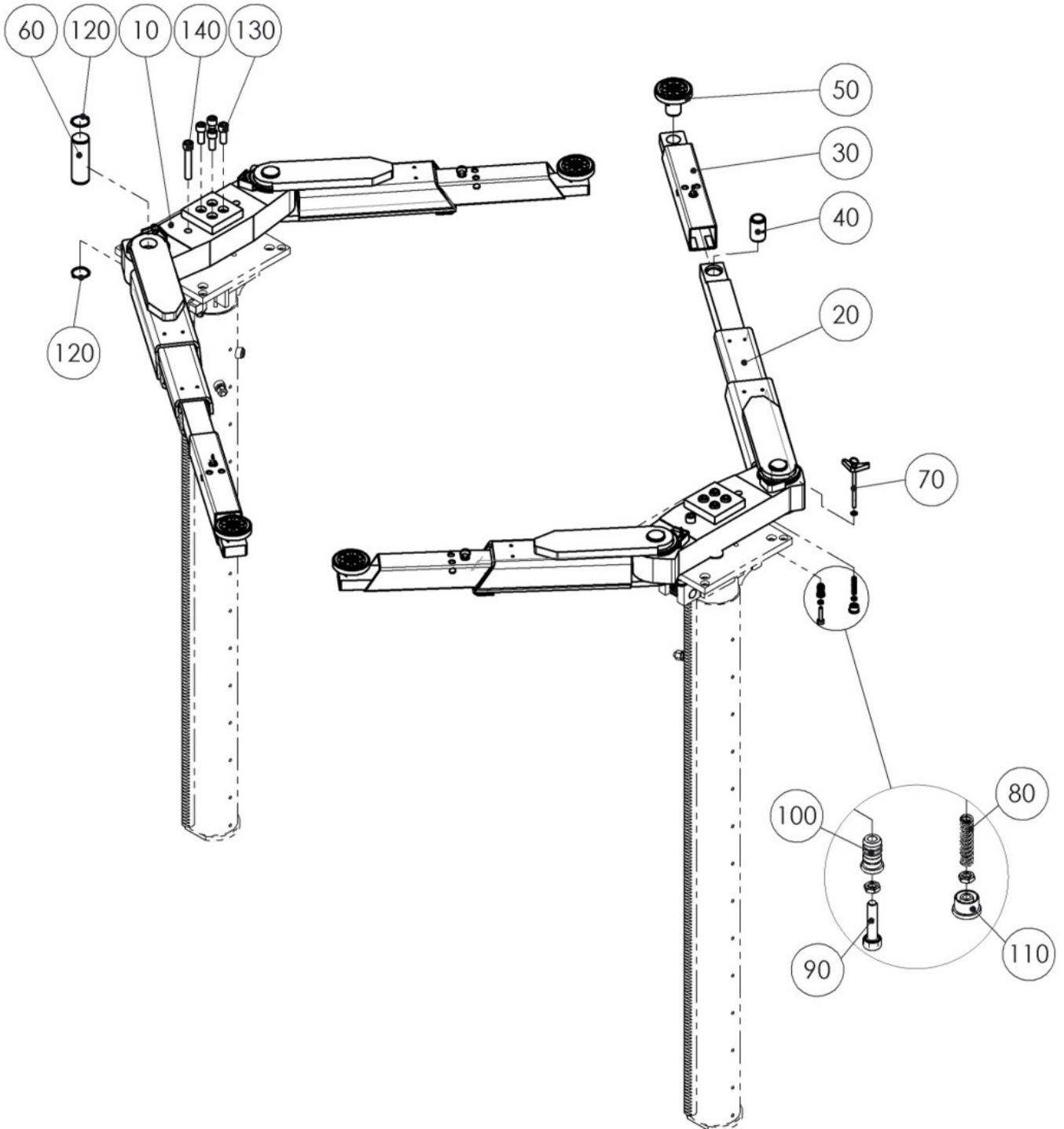
Item No.	Spare Part	Description	Tooltip	Article Number
10	Arm Support			031321 00004 0
20	Support Arm			032321 00001 0
30	Support Disk		Section 3.7	03 36 31260
40	Lock		Section 3.4.1	031321 00009 0
50	Adjusting Foot			NGFBM10X 50Z
60	Plug			NSSTRGM2510-01H
70	Snap Ring	ø80x2.5		22 0471 080
80	Allen Screw	M20x60		22 0912 20060 3

3.4.1 Lock (031321 00009 0)



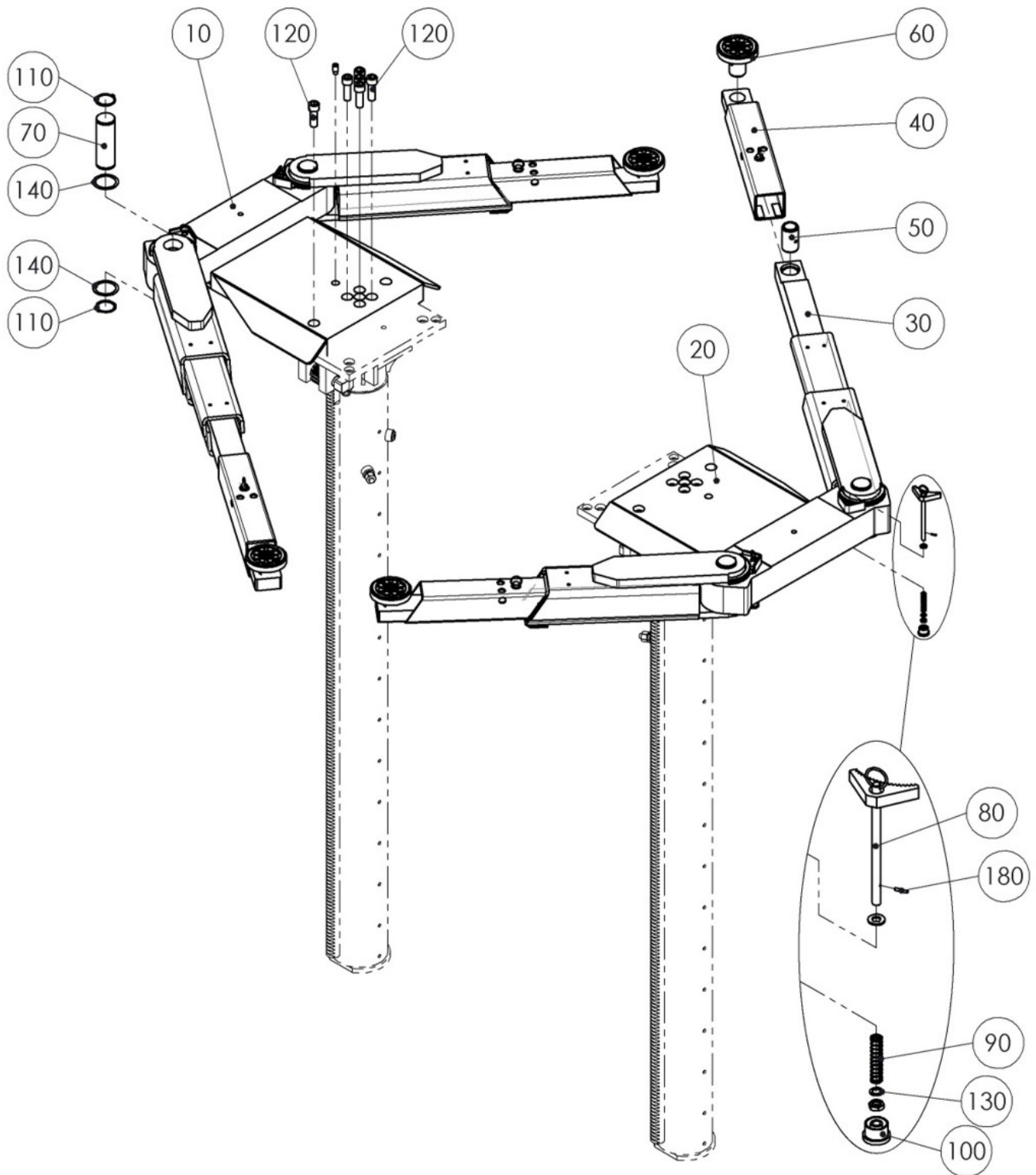
Item No.	Spare Part	Description	Article Number
10	Spacer Plate		021321 00010 0
20	Cover		021321 00018 0
30	Guide		021321 00019 0
70	Toothed Washer		23000014
80	Gear Segment		23000015
100	Pressure Spring		NFD.12012062
110	Support Knob		NSSTZN403202
150	Binding Head Screw	M8x10	23 3110

3.5 Swing Arm-Type Superstructure (DV50) KX



Item No.	Spare Part	Description	Tooltip	Article Number
10	Support			D-KX.60A-10
20	Swing Arm			D-KX.60A.1-20
30	Adapter			031022 00233 0
40	Adapter Thread			03 36 31085
50	Support Disk		Section 3.7	031022 00341 0
60	Pin			D-KX.60A-220
70	Lock			031022 00249 0
80	Pressure Spring			NFD.12012062
90	Adjusting Foot			NGFBM10X 50Z
100	Plug			NSSTRGM2510-01H
110	Support Knob			NSSTZN403202
120	Snap Ring	ø55x2		22 0471 055 1
130	Allen Screw	M20x50		22 0912 20050 3
140	Allen Screw	M20x120		22 0912 20120 2
150	Shim Ring	ø60x75x1		22 0988 607510
160	Washer	A10.5		22 0125 10 1

3.6 Swing Arm-Type Superstructure (DV50) KXX



Item No.	Spare Part	Description	Tooltip	Article Number
10	Support	Left		D-KKX.50A.2-10L
20	Support	Right		D-KKX.50A.2-10R
30	Swing Arm			D-KX.60A.1-20
40	Adapter			031022 00233 0
50	Adapter Thread			03 36 31085
60	Support Disk		Section 3.7	031022 00341 0
70	Pin			D-KX.60A-220
80	Lock			031022 00249 0
90	Pressure Spring			NFD.12012062
100	Support Knob			NSSTZN403202
110	Snap Ring	ø55x2		22 0471 055 1
120	Allen Screw	M20x60		22 0912 20060 2
130	Shim Ring	ø10x16x1		22 0988 101610
140	Shim Ring	ø60x75x1		22 0988 607510
180	Dowel Pin	3x16		22 1481 03016

3.7 Swing Arm Options

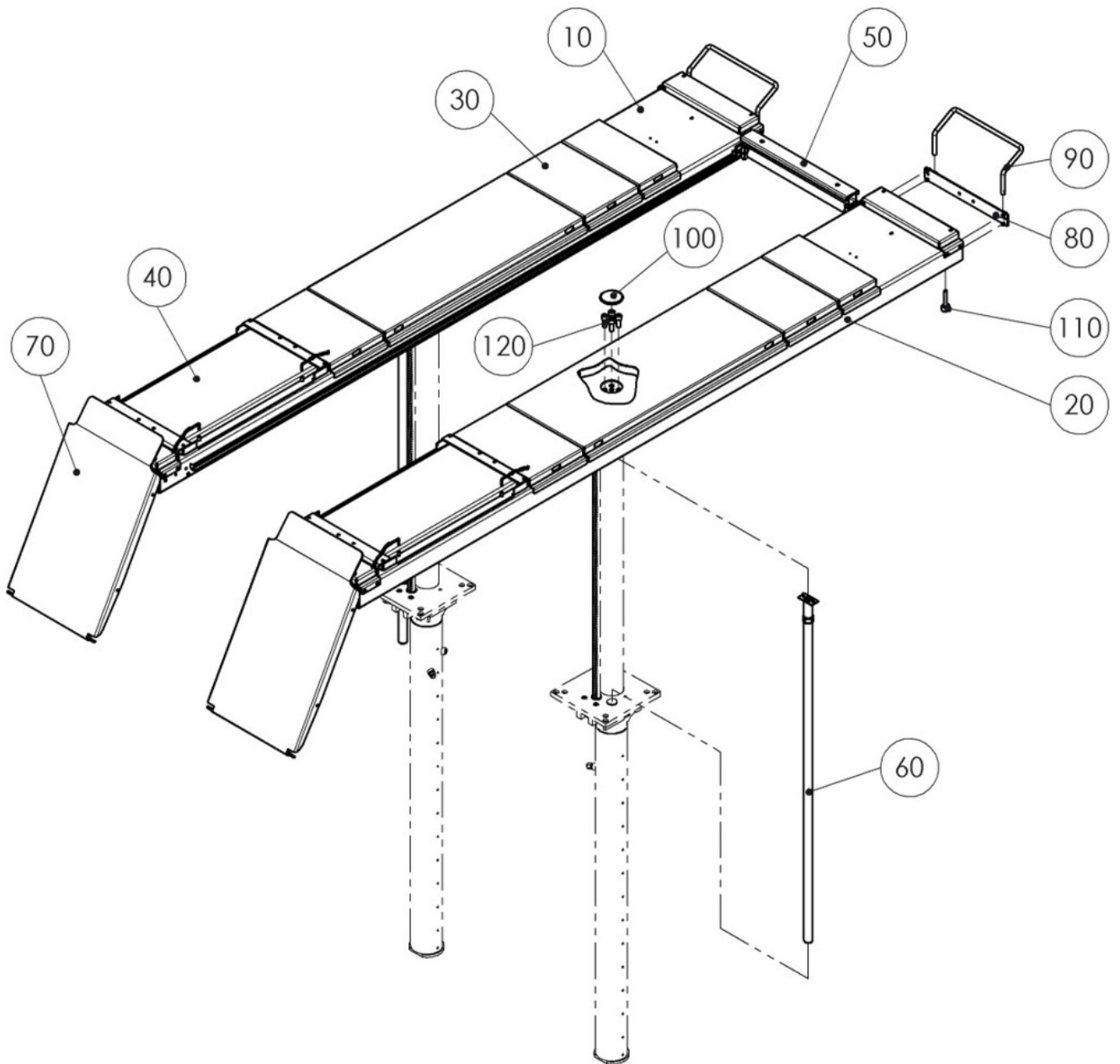
Item No.	Thumbnail	Spare Part	Description	Article Number
10		Support Disk	Plug-In Type	03 36 31050
10.1		Rubber Pad	ø120mm	17 2023 01
10.2		Adapter Thread	80mm	03 36 31085
20		Wheel Nut Tray	MAHA	031087 00003 0
30		Wheel Nut Tray	SLIFT	031087 00004 0
40		Support Tray	f. Support Plate Extensions	030470 00065 0
50		Clamping Belt	4.0m	19 1050
60		Special Prism Support	MB 100	03 36 31180

Item No.	Thumbnail	Spare Part	Description	Article Number
60.1		PA-Prism		02 36 18500
60.2		Adapter Thread	60mm	03 36 31065
70		Special Prism Support	MB 463/460	03 36 31200
70.1		PE-Prism		02 28 18410
70.2		Adapter Thread	50mm	03 36 31055
80		Support Disk	Porsche Cayenne, SMART	03 36 31210
80.1		Rubber Pad	ø100mm	17 2024
90		Non-Skid Device	f. Transporter	VZ 975050

Item No.	Thumbnail	Spare Part	Description	Article Number
100		Support Disk	w. Adapter Thread	03 36 31250
100.1		Rubber Pad	ø120mm	17 2023 01
100.2		Adapter Thread	50mm	03 36 31055
110		Adapter Sleeve		020470 00461 0
120		Support Arbor		030360 00025 0
120.1		PA-Support		020360 00042 0
130		Support Disk Extension	50mm	03 36 31015
140		Support Disk Extension	100mm	03 36 31020

Item No.	Thumbnail	Spare Part	Description	Article Number
150		Support Disk Extension	150mm	03 36 31024
160		Support Disk Extension	200mm	03 36 31027
170		Wheel-Engaging Support Fork		030470 00369 0
180		Reduction Sleeve	f. Wheel-Engaging Support Fork	030470 00390 0



4 Runways











Item No.	Spare Part	Description	Tooltip	Article Number
10	Runway, Left	4.0t - 4.32m		031052 00043 0
	Runway, Left	4.0t - 4.4m		031052 00041 0
	Runway, Left	5.0t		030300 00028 0
20	Runway, Right	4.0t - 4.32m		031052 00044 0
	Runway, Right	4.0t - 4.4m		031052 00042 0
	Runway, Right	5.0t		030300 00029 0
30	Compensation Set		Section 4.2	
40	Movable Plate		Section 5.8	
50	Cross Member		Section 5.1	
60	Cable Conduit		Section 4.3	M 30.18-800
70	Approach Ramp		Section 5.2	03 08 24045
80	Adapter Plate		Section 5.2	03 08 20420 E
90	Roll-Off Protection		Section 5.2	02 08 21935
	Roll-Off Protection	w. Compensating Plates	Section 5.2	02 08 21940
100	Cover	4.0t		02 32 35850
	Plug	5.0t		31 5033
110	Dowel Pin	M16x94		31 6210
120	Allen Screw	M20x50		22 0912 20050 3

4.1 Pneumatic Components (Runways)

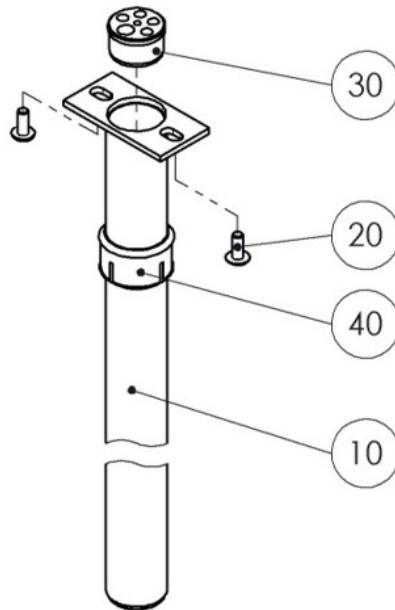
Item No.	Thumbnail	Spare Part	Description	Article Number
10		Threaded Elbow Joint	1/4"	27 4650
20		Straight Fitting	G 8 L	27 6437
30		Screw Connection	W 8 L	27 6580
40		Bulkhead Connection	G 3/8 - G 1/4	28 8071 0603
50		Quick Coupler	G 1/4	28 8092 0406
60		Threaded Elbow Joint	KQL G1/4	28 9120
70		Manometer Fixture	1/4"	28 8027 0306
80		Hose Nozzle	1/4"	28 8044 0406

Item No.	Thumbnail	Spare Part	Description	Article Number
90		Grommet	NW 7	28 8096 0606
100		Hose Clamp		28 9805

4.2 Compensation Set

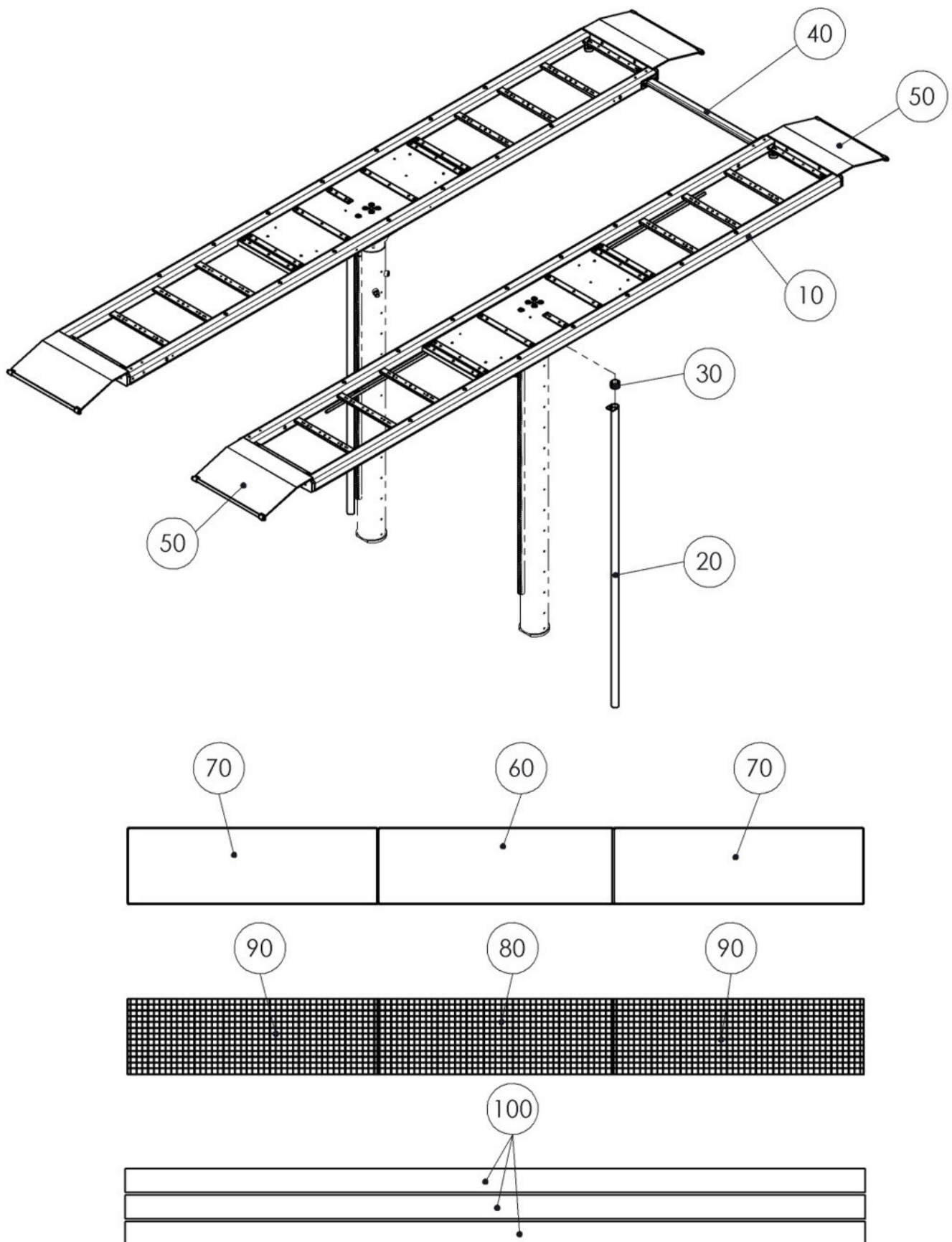
Item No.	Thumbnail	Spare Part	Description	Article Number
10		Ramp Holder	at Slide Plate	031082 00022 0
20		Ramp Holder	at Axle Play Detector	031082 00023 0
30		Compensating Plate	140mm	03 08 25821
40		Compensating Plate	200mm	03 08 25831
50		Compensating Plate	280mm	03 08 25851
60		Compensating Plate	400mm	03 08 25871
70		Compensating Plate	500mm	03 08 25891
80		Compensating Plate	1460mm	03 08 25921

4.3 Cable Conduit (M 30.18-800)



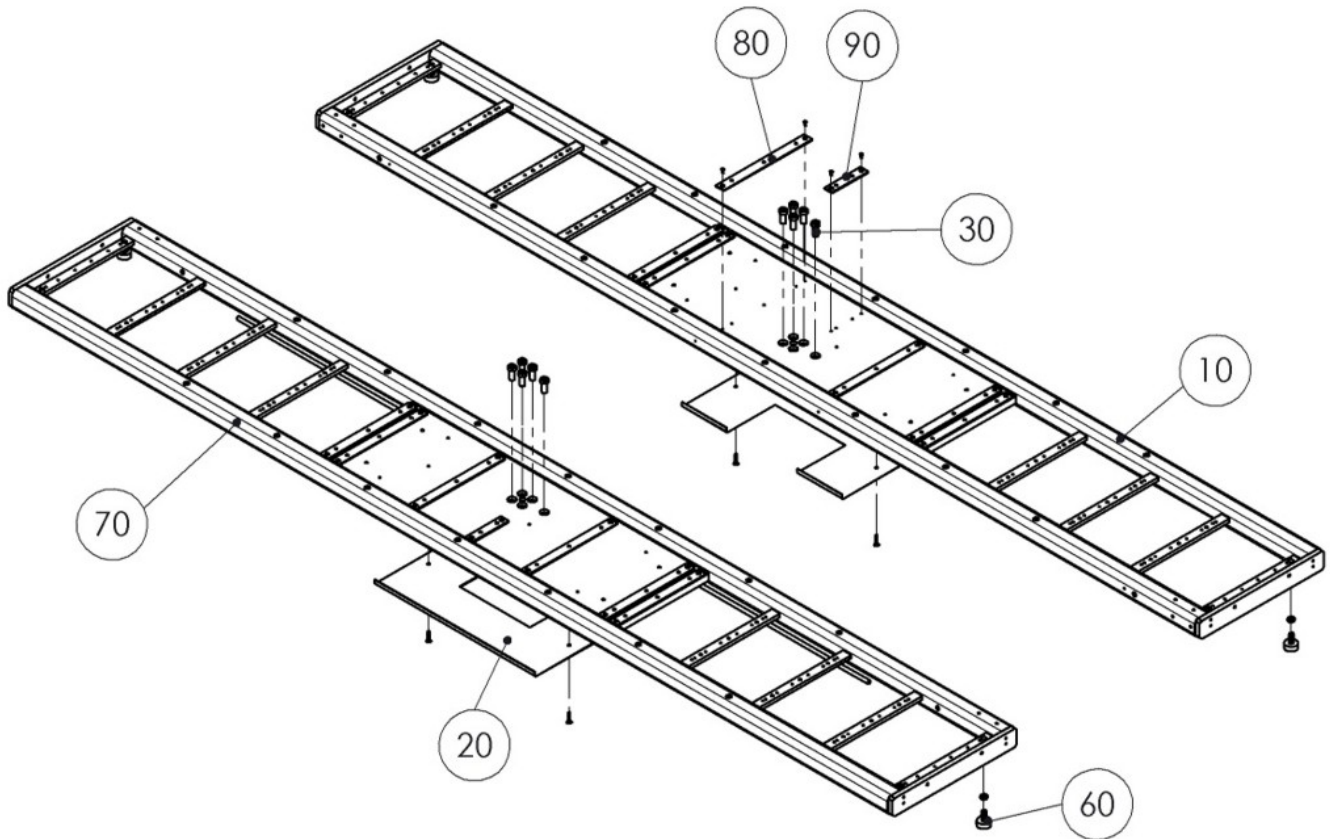
Item No.	Spare Part	Description	Article Number
10	Cable Conduit		M 30.18-803
20	Binding Head Screw	M8x20	23 3120
30	Plug	ø45	021060 00034 0
40	Guide Bushing		M 30.18-810

4.4 Modular Runways



Item No.	Spare Part	Description	Tooltip	Article Number
10	Drive-On Rail		Section 4.4.1	031052 00037 0
20	Cable Conduit			031092 00054 0
30	Guide Bushing			M 30.18-810
40	Cross Member			031320 00616 0
50	Approach Flap		Section 5.2	031320 00620 0
60	Inlay Plate	1380mm		031082 00208 0
70	Inlay Plate	1470mm		031082 00209 0
80	Grating	1380mm		23000369
90	Grating	1470mm		23000368
100	Wooden Board			HP.0251404340

4.4.1 Drive-On Rail

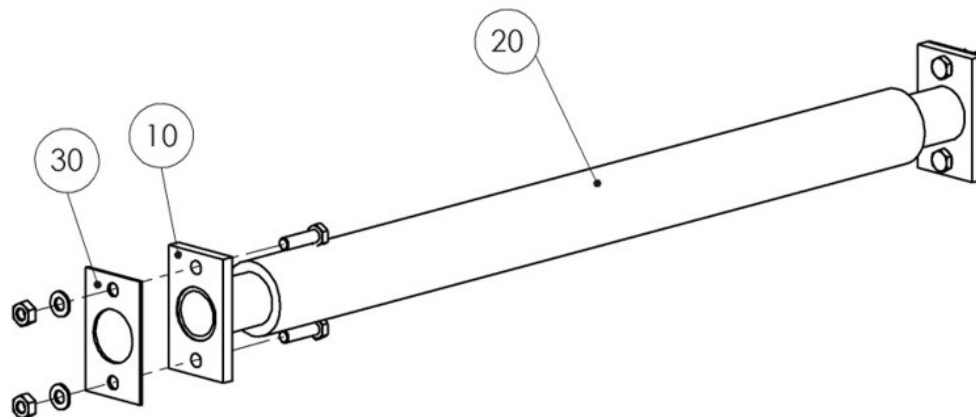


Item No.	Spare Part	Description	Article Number
10	Drive-On Rail	Right	031052 00002 0
20	Cover Plate		021320 00628 0
30	Allen Screw	M20x45	22 6912 20045 2
60	Adjusting Foot		NGF.M16X60Z
70	Drive-On Rail	Left	031052 00003 0
80	Compensating Plate	440mm	021320 00634 0
90	Compensating Plate	180mm	021320 00635 0

5 Runway Accessories

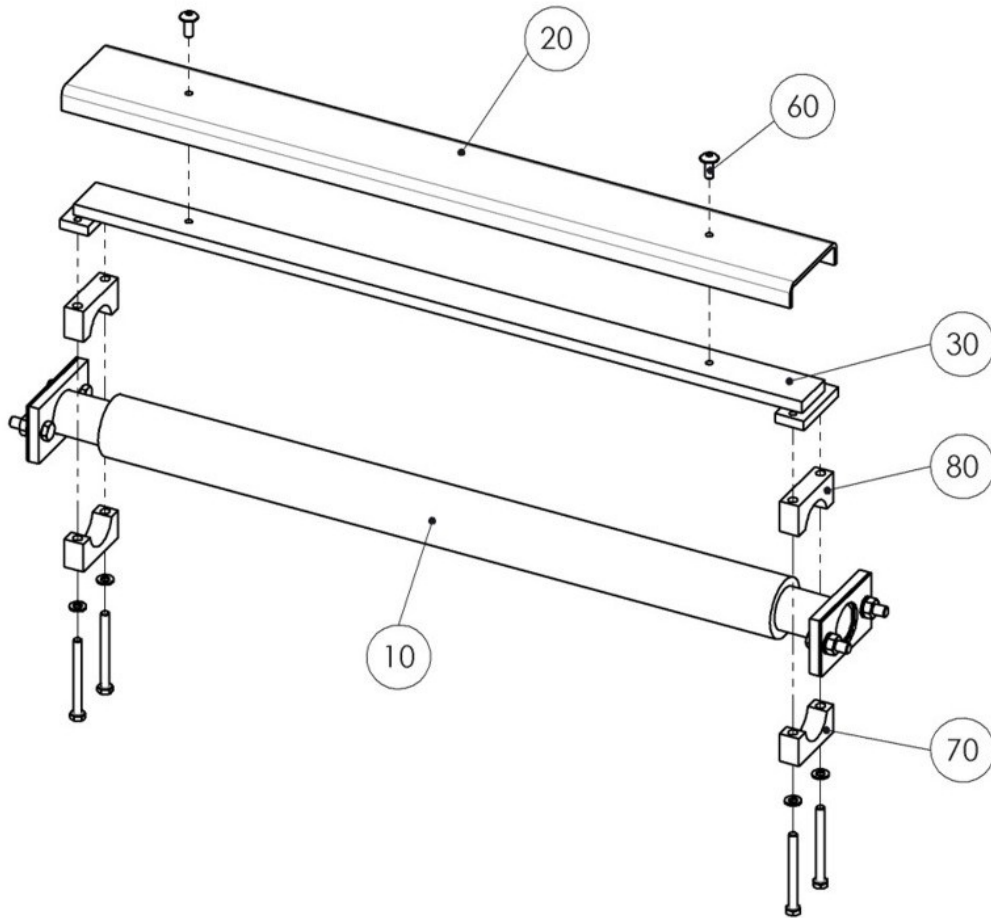
5.1 Cross Members

5.1.1 Cross Members, Standard









Item No.	Spare Part	Description	Article Number
	Cross Member Assy	4.0t	03 32 33157
	Cross Member Assy	5.0t	030300 00001600
	Cross Member Assy	5.0t short Insulating Shell	030300 00037 0
10	Cross Member	4.0t	03 32 33160
	Cross Member	5.0t	030300 00001700
20	Insulating Shell	710mm	021320 00103 0
	Insulating Shell	910mm	17 2096 01
30	Compensating Plate		02 32 33395

5.1.2 Cross Members, without/with Compensating Plates




Item No.	Spare Part	Description	Tooltip	Article Number
	Cross Member Assy	4.0t w/o Comp. Plates		031320 00145 0
	Cross Member Assy	4.0t w. Comp. Plates		031320 00150 0
	Cross Member Assy	5.0t w/o Comp. Plates		030300 00038 0
	Cross Member Assy	5.0t w. Comp. Plates		030300 00039 0
10	Cross Member	4.0t	Section 5.1.1	03 32 33157
	Cross Member	5.0t	Section 5.1.1	030300 00037 0
20	Cover	4.0t		021320 00102 0
	Cover	5.0t		020300 00055 0
30	Cut Plate	4.0t w/o Comp. Plates		031320 00114 0
	Cut Plate	4.0t w. Comp. Plates		031320 00113 0
	Cut Plate	5.0t w/o Comp. Plates		030300 00040 0
	Cut Plate	5.0t w. Comp. Plates		030300 00041 0
60	Binding Head Screw	w/o Synchronization		23 3120
	Oval Head Screw	w. Synchronization		22 7381 08030 1
70	Holder	Bottom		32002.14.06.002
80	Holder	Top		32002.14.06.006

5.2 Ramps / Roll-off Protections


Item No.	Thumbnail	Spare Part	Description	Article Number
10		Adapter Plate	f. Roll-Off Protection	03 08 20420 E
20		Roll-Off Protection	w/o Compensating Plates	02 08 21935
		Roll-Off Protection	w. Compensating Plates	02 08 21940
30		Approach Ramp		03 08 24048
40		Approach Ramp	Sports Car	03 08 24009
50		Approach Flap	4.0t	03 08 24227
50.1		Mounting Angle f. Approach Flap	f. Modular Runway	031082 00170 0
60		Approach Flap	5.0t	031052 00036 0

Item No.	Thumbnail	Spare Part	Description	Article Number
70		Approach Flap		031320 00618 0
80		Approach Ramp, Screw-On Type	4.0t	03 32 32035
		Approach Ramp, Screw-On Type	5.0t	031082 00140 0
80.1		Approach Ramp	4.0t	03 32 32110
		Approach Ramp	5.0t	031022 00030 0
80.2		Rollover Protection Plate	f. Approach Ramp, Screw-On Type	03 32 32100
80.3		Roller Holder		03 32 32190
80.4		Roller		02 08 22450

Item No.	Thumbnail	Spare Part	Description	Article Number
90		Autom. Roll-Off Protection	w. Compensating Plates	03 32 31131
		Autom. Roll-Off Protection	w/o Compensating Plates	03 32 31141
100		Autom. Roll-Off Protection	w/o Compensating Plates	030300 00021 0
		Autom. Roll-Off Protection	w. Compensating Plates	030300 00023 0
110		Slider Block		02 08 87540
120		Spacer Sleeve		31 5156
130		Dowel Pin	M10x29	31 6203
140		Dowel Pin	M10x94	31 6204 1









Item No.	Thumbnail	Spare Part	Description	Article Number
150		Dowel Pin	M16x94	31 6210
160		Autom. Roll-Off Protection	5.0t	M-AS40.63S
		Autom. Roll-Off Protection	5.0t w. Compensating Plates	M-AS40.63SAG
		Autom. Roll-Off Protection	4.0t	M-AS40.6MS
		Autom. Roll-Off Protection	4.0t w. Compensating Plates	M-AS40.6SAG
160.1		Stop Flap		M-AS40.6-30
160.2		Stop Flap	f. Autom. Roll-Off Protection	021052 00022 0
160.3		Setting Disk		M-AS40.6-27






5.3 Accessories (Runway-Type Superstructure)

Item No.	Thumbnail	Spare Part	Description	Article Number
10		Holder w. Screws	f. Lighting (4 pcs.)	030300 00046 0
10.1		Holder	f. Lighting (1 pc.)	03 32 30245
20		Lighting		
20.1		Pit Lamp	36W 220V	51 0320
20.2		Pit Lamp	Lumolux 28W	51 0370
20.3		LED Lamp	24VDC 21W	51 0377
20.4		Lamp Holder	w. Screws	030080 00985 0
20.5		Transformer		51 0374

Item No.	Thumbnail	Spare Part	Description	Article Number
20.6		Locking Handle	0 - I	51 0515
20.7		Contact Element	NO Contact 3-4; Front 10	51 0555
20.8		Contact Element	Base 10	51 0557
20.9		Mounting Adapter	Front	51 0561
20.10		Casing	x1	51 0565
20.11		Connecting Cable	Transformer - LED	51 4132
20.12		Connecting Cable	LED - LED	51 4133
20.13		Tension Spring Clip	ST 4	51 5020

Item No.	Thumbnail	Spare Part	Description	Article Number
20.14		Tension Spring Clip	ST 4-PE	51 5027
20.15		Fuse Terminal	10/SI 5x20	51 5050
20.16		Branch Box		53 2035
20.17		Seal Nipple	PG 11	53 2056
20.18		Branch Box		53 2470
20.19		Screwed Cable Joint	M20 4-9.0	53 2753
20.20		Plastic Nut	M20x1.5	53 2782
20.21		Terminal Strip	12-pin	53 3051

Item No.	Thumbnail	Spare Part	Description	Article Number
20.22		Fuse	T 10 A	53 3066
20.23		Label Holder	f. Lable	51 0581
20.24		Label	Lighting	54 4016
30		Maintenance Unit	Assembly	03 36 37500
30.1		Maintenance Unit	w. Oiler a. Manometer	28 5505 3
30.2		PVC Seal		28 6500
30.3		Double Nipple	G 1/4 - G 1/4	28 8042 0404
30.4		Bulkhead Connection	G 3/8 - G 1/4	28 8071 0603

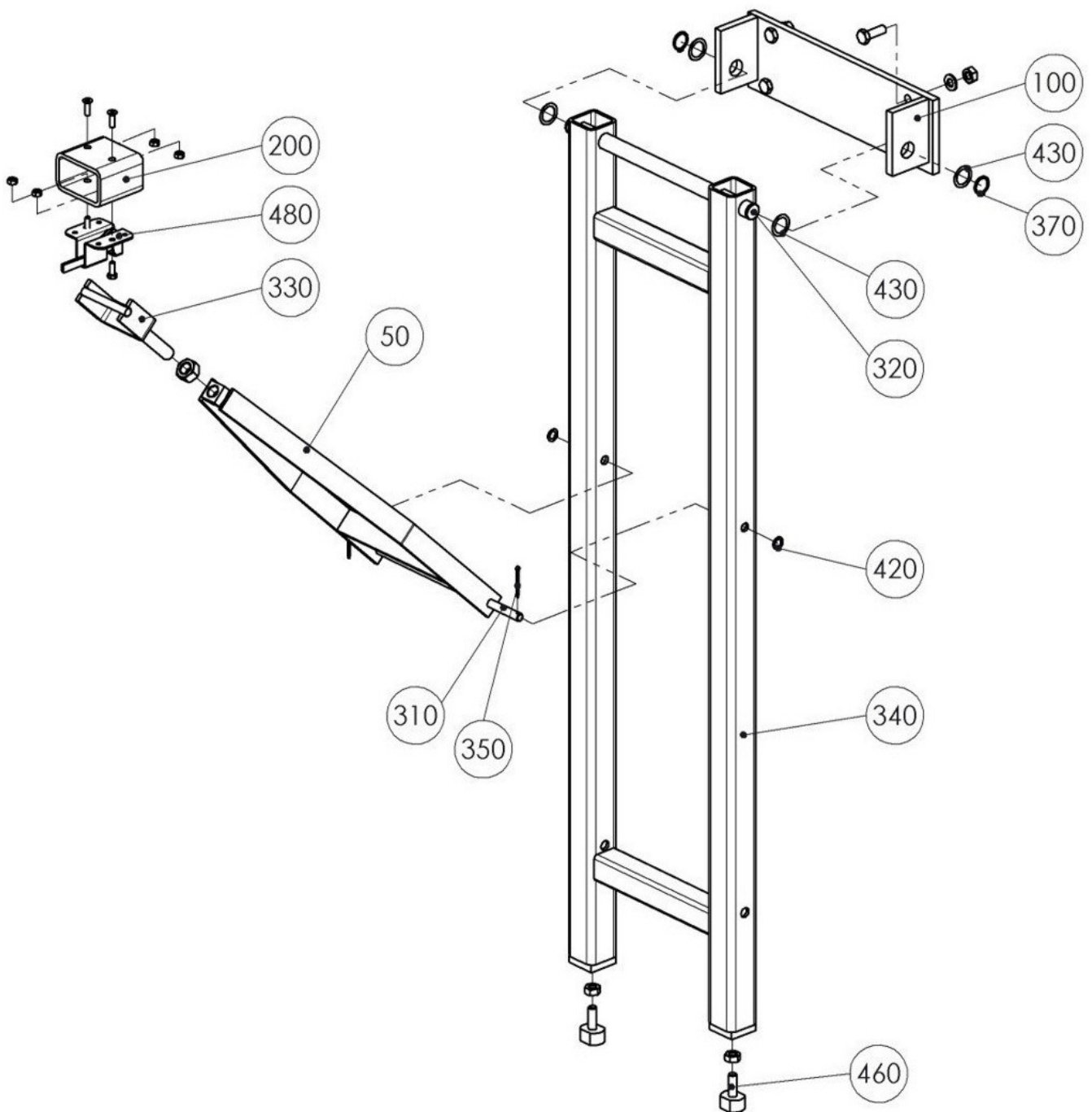
Item No.	Thumbnail	Spare Part	Description	Article Number
30.5		Quick Coupler	G 1/4	28 8092 0406
30.6		Barbed Nipple		28 8097 0606
30.7		Straight Fitting	KQH G1/4	28 9105
30.8		Elbow Connector	KQL	28 9118
30.9		Threaded Elbow Joint	KQL G1/4	28 9120
30.10		T-Piece	KQT	28 9131
30.11		Holder		03 36 37530

5.4 Runway Supports

5.4.1 Runway Support, Standard 4.0t (031082 00153 0)

Other runway supports are in work

- Runway Support, telescopic 4.0t (03 32 26645)
- Runway Support, standard 5.0t (030300 00031 0)
- Runway Support, telescopic 5.0t (030300 00030 0)



Item No.	Spare Part	Description	Article Number
50	Locking Device		03 32 26640
100	Support Plate		03 32 26615
200	Holder		02 32 30170
310	Pin		02 32 30165
320	Pin		02 32 30120
330	Fork		03 32 26690
340	Adjusting Foot		03 32 26620
350	Cotter Pin	3.2x32	22 0094 032032 1
370	Snap Ring	20x1.2	22 0471 020
420	Shim Ring	10x16x0.5	22 0988 101605
430	Shim Ring	20x28x0.5	22 0988 202805
460	Dowel Pin		31 6203
480	Snap Lock		19 2000



5.5 Floor Cover

in work

5.5.1 Pneumatic Components (Floor Cover)

Item No.	Thumbnail	Spare Part	Description	Article Number
10		Reducing Nipple	3/4"-3/8"	28 8070 1005
20		T-Piece	KQT	28 9358
30		Screwed Angle	KQV S	28 9396
40		T-Male End Fitting	G1/4	28 9355
50		Quick Coupler	G1/4	28 8091 0306
60		Straight Fitting	KQH S	28 9302
70		Barbed Nipple	G3/8	28 8094 0506
80		Quick Coupler	ø4mm	28 8093 0604



Item No.	Thumbnail	Spare Part	Description	Article Number
90		Hose Clamp		28 9805
100		Hose Nozzle	ø6mm	28 8047 0006
110		T-Male End Fitting	G1/2	28 9364
120		2/2 Directional Control Valve	G 24 V	28 5300
130		Silencer	1/2"	28 8165 7
140		Double Nipple	1/2"-3/8"	28 8043 0806
150		Double Nipple	1/2" conical	28 8064 0606
160		Non-Return Valve		28 5940

Item No.	Thumbnail	Spare Part	Description	Article Number
170		Pressure Control Valve	w. Manometer	28 5506
180		Straight Fitting	KQH S	28 9302

5.5.2 Manual Lowering Screw

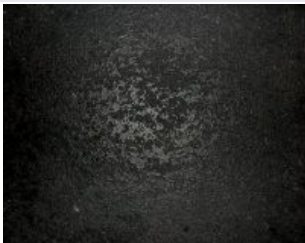




Item No.	Thumbnail	Spare Part	Description	Article Number
10		Manual Lowering Screw	M20	02 32 33205
20		Fine Rope	ø1mm; 4.5m	19 1075
30		Seat Valve		26 1469 1
40		Magnet		26 1480
50		Plug	ø10.3	31 5040

5.6 Retrofit Kit (Axle Jack)

Item No.	Thumbnail	Spare Part	Description	Article Number
10		Holder		02 08 20047
20		Cable Holder		02 32 33470
30		Holder	Limit Switch	02 32 33491
40		Lifting-Eye Bolt	M6x40	23 1606 40 1
50		Bulkhead Connection	G 3/8 - G 1/4	28 8071 0603
60		Quick Coupler	G 1/4	28 8092 0406
70		Threaded Elbow Joint	KQL G1/4	28 9120
80		Threaded Elbow Joint	1/4"	27 4650

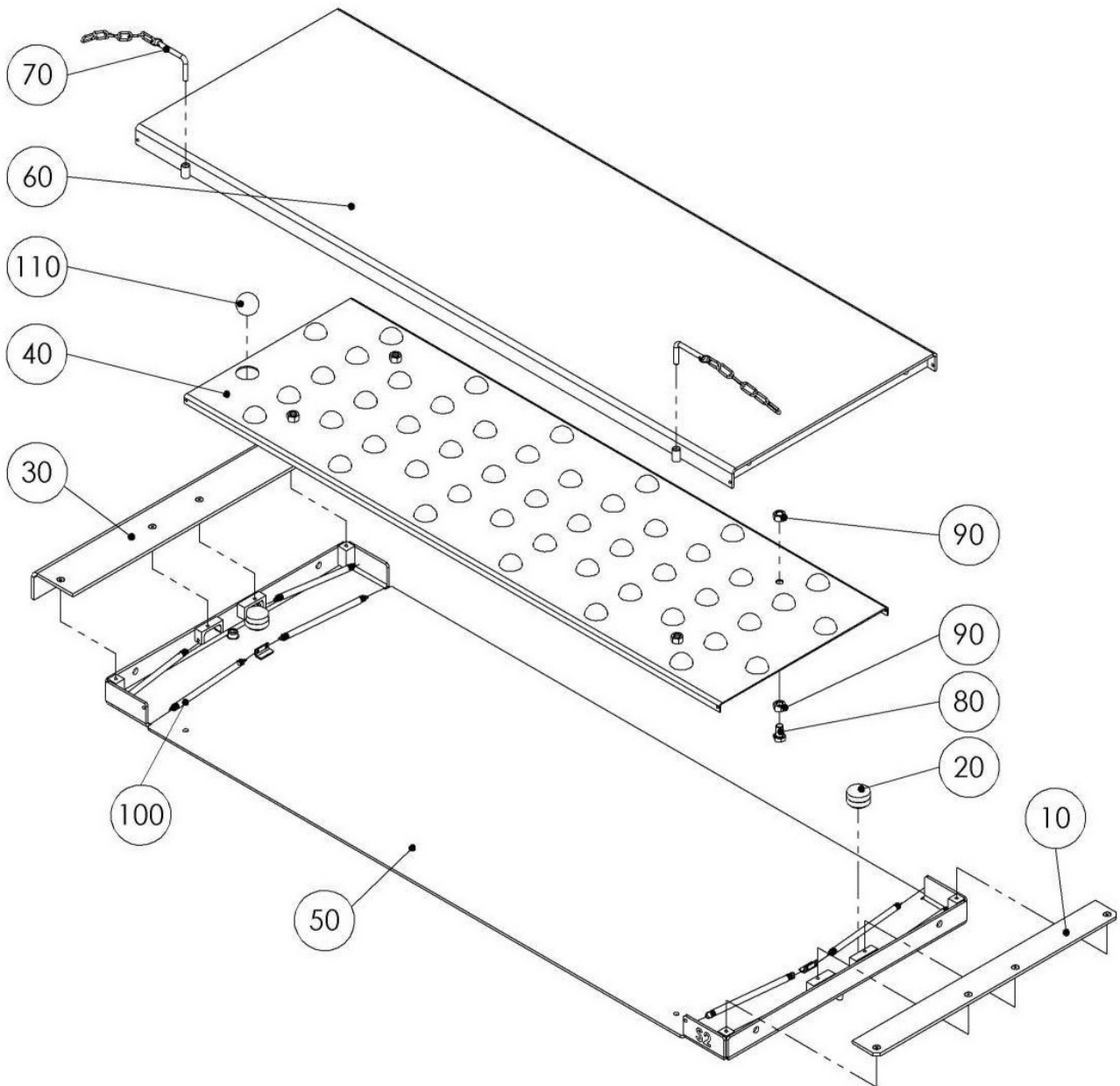
Item No.	Thumbnail	Spare Part	Description	Article Number
90		PVC Seal		28 6500
100		Spiral Hose		28 7008 2
110		Limit Switch		51 0317

5.7 Antiskid Coating

Item No.	Thumbnail	Spare Part	Description	Article Number
10		Antiskid Coating	Black	35 1218
20		Antiskid Coating	Gray	35 1218 1
30		Hardener	Mixing Ratio 1:8	35 1219
40		Instruction	German	D1 Z901/B1-DE
50		Instruction	English	D1 Z901/B1-GB

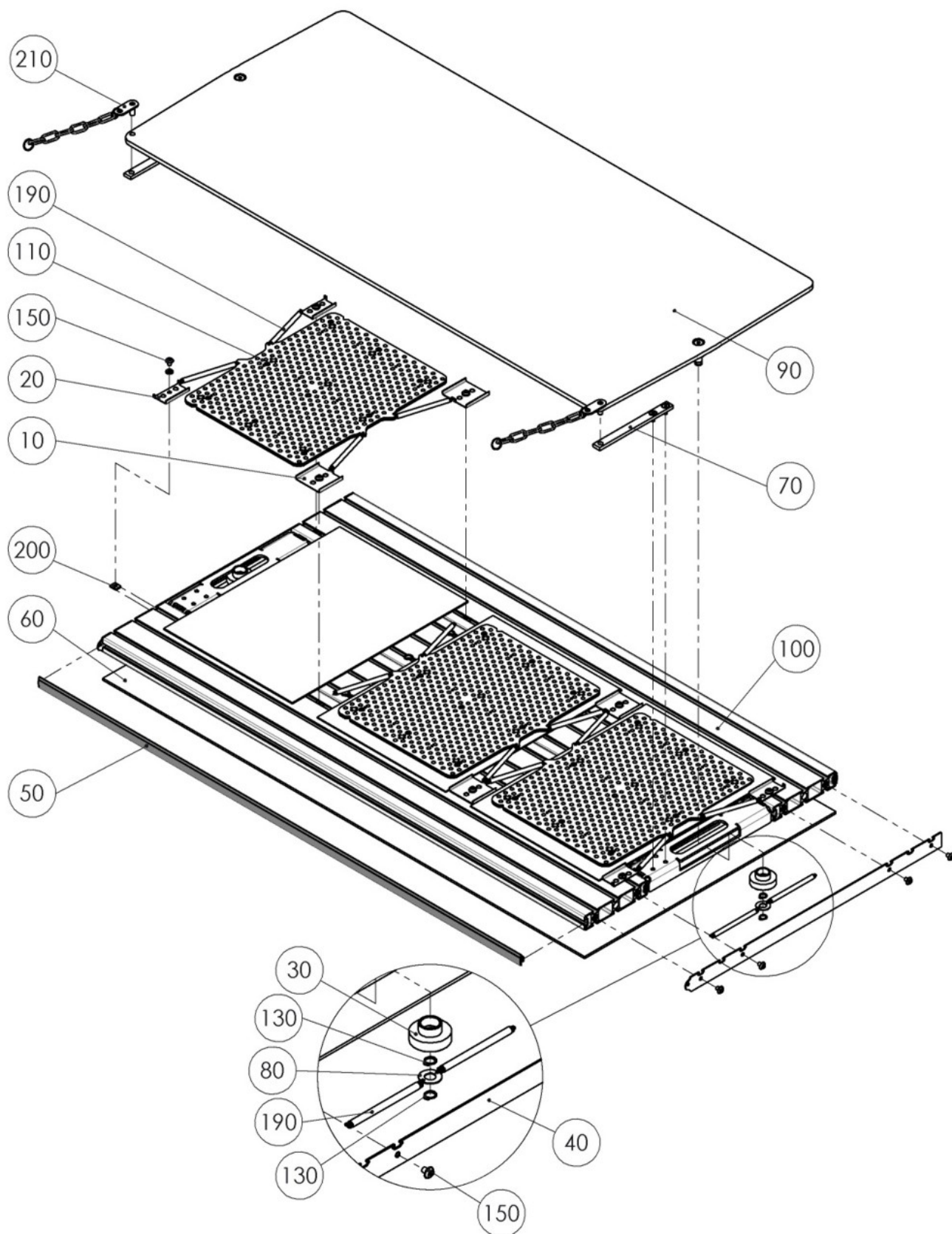
5.8 Slide Plates

5.8.1 Slide Plate (Long/Short)



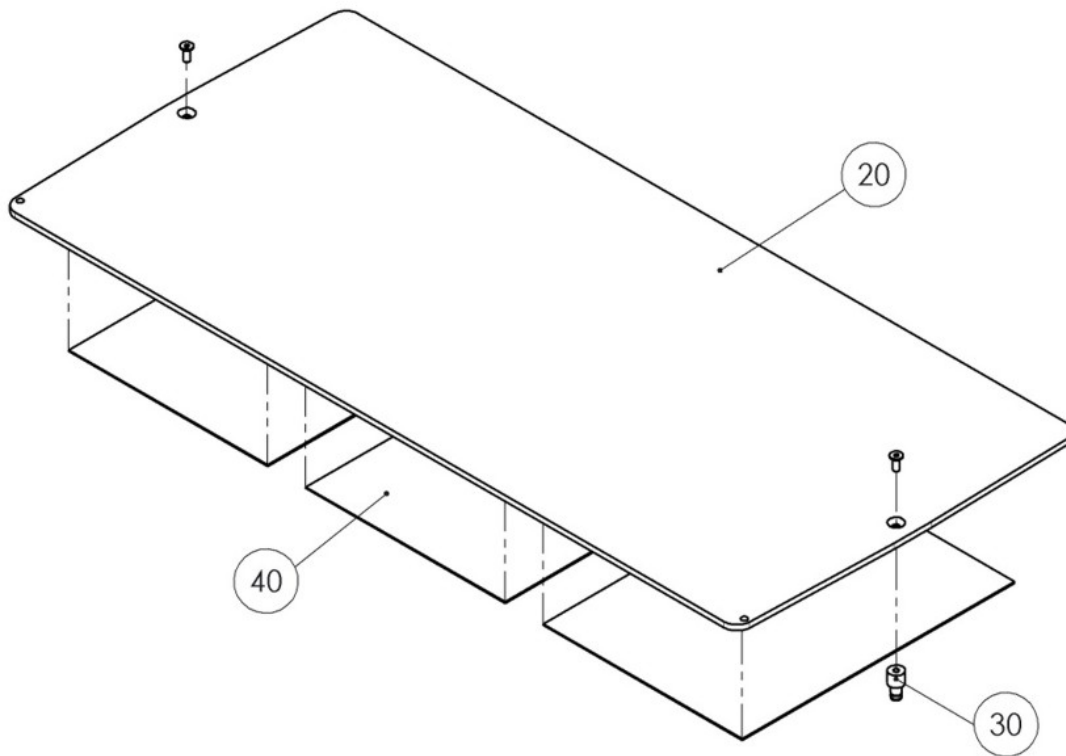
Item No.	Spare Part	Description	Article Number
	Slide Plate, Assy.	Long	03 08 81400
	Slide Plate, Assy.	Short	03 08 81300
	Cover	Long	030080 00840 0
	Cover	Short	030080 00839 0
10	Adapter Plate		02 08 81800
20	Roller		02 08 81027
30	Adapter Plate		02 08 81807
40	Ball Cage	Long	02 08 81105
	Ball Cage	Short	02 08 81100
50	Lower Part	Long	03 08 81007
	Lower Part	Short	03 08 81003
60	Upper Part	Long	03 08 81205
	Upper Part	Short	03 08 81200
70	Lock		03 08 81010
80	Hex Head Screw	M12x20	22 0933 12020 K
90	Hex Nut	M12	22 0934 12 K
100	Tension Spring		23 9110 010 110
110	Phenolio Resin Ball		31 7038

5.8.2 Precision Slide Plate



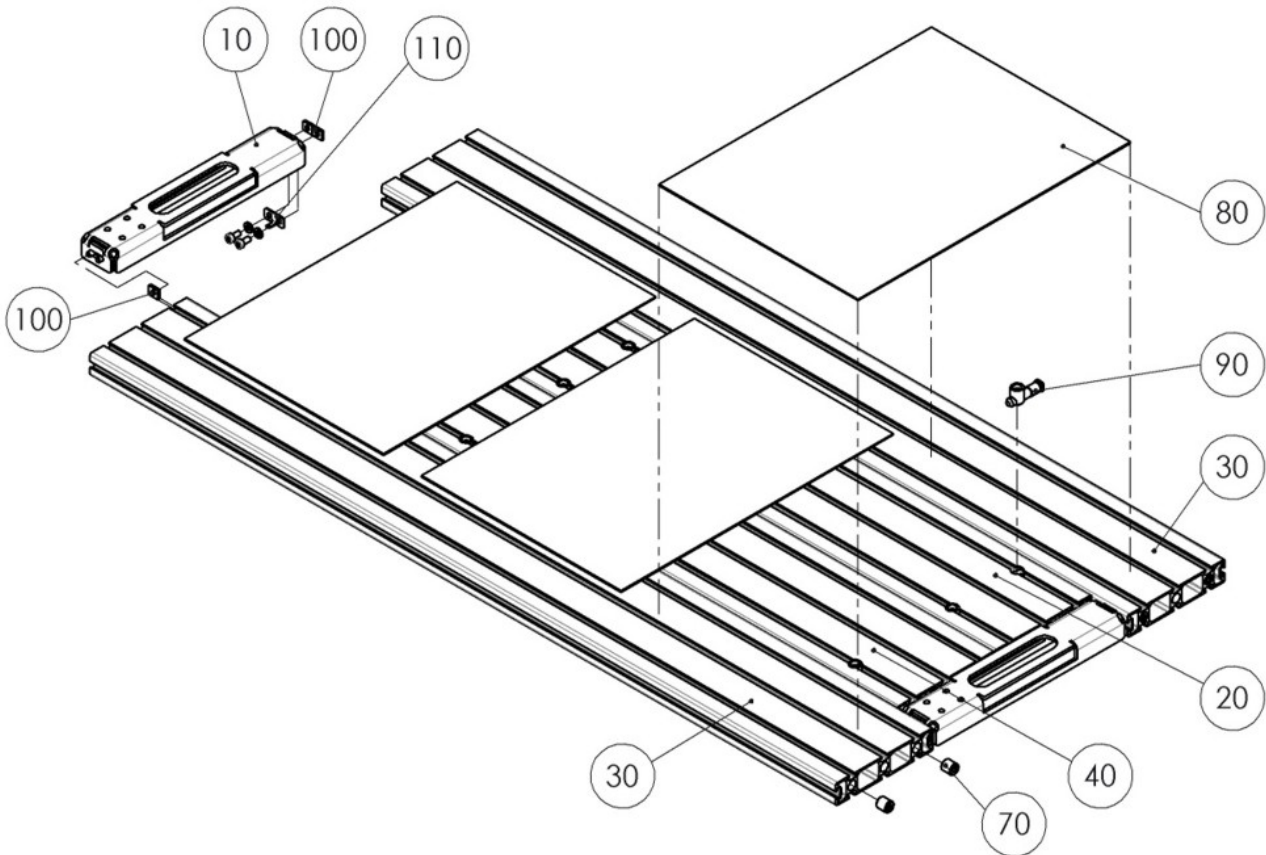
Item No.	Spare Part	Description	Tooltip	Article Number
	Precision Slide Plate	Assy.		030082 00011 0
10	Angle			020082 00016 0
20	Angle			020082 00017 0
30	Roller			020082 00018 0
40	Profile Cover			020082 00699 0
50	Cover Strip	1150mm lg.		020082 00704 0
60	Compensating Plate			020082 00705 0
70	Torsion Protection			020082 00721 0
80	Washer			020080 01416 0
90	Upper Plate	Assy.	Section 5.8.2.1	030082 00010 0
100	Substructure	Assy.	Section 5.8.2.2	030082 00012 0
110	Ball Cage	Assy.	Section 5.8.2.3	030082 00014 0
130	Snap Ring	ø11x1		22 0471 011
150	Oval Head Screw	M6x8		22 7381 06008 1
190	Tension Spring			23000222
200	Threaded Plate			23000224
210	Lock			030080 00790 0

5.8.2.1 Upper Plate (030082 00010 0)



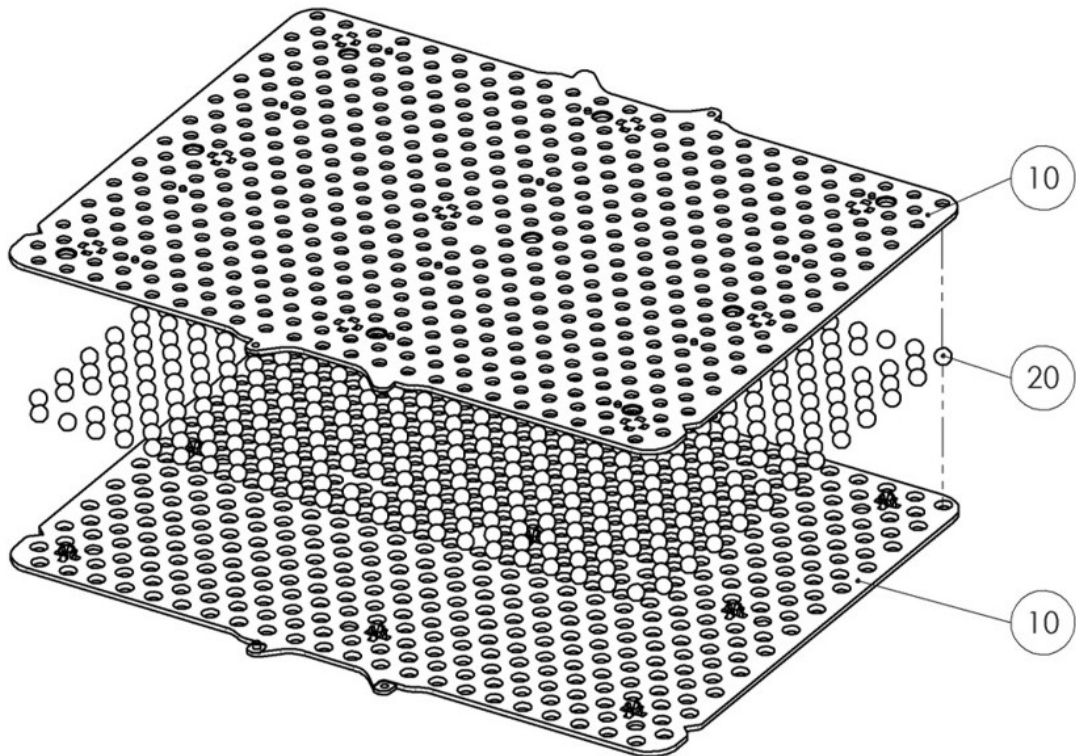
Item No.	Spare Part	Article Number
20	Upper Plate	020082 00697 0
30	Roller Support	020080 01418 0
40	Running Surface	23000221

5.8.2.2 Substructure (030082 00012 0)



Item No.	Spare Part	Description	Article Number
10	Stop Plate		020082 00700 0
20	Section Steel	1040mm lg.	020082 00702 0
30	Section Steel	1150mm lg.	020082 00703 0
40	Section Steel	1040mm lg.	020082 00720 0
70	Threaded Insert		23000212
80	Running Surface		23000221
90	Cross Connector		23000223
100	Thraded Plate		23000224
110	Holder		020080 01417 0



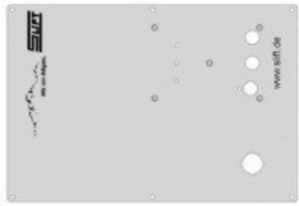





5.8.2.3 Ball Cage (030082 00014 0)



Item No.	Spare Part	Article Number
10	Ball Cage	31000020
20	Steel Ball	23000284

6 Electrical Equipment









6.1 Control Boxes



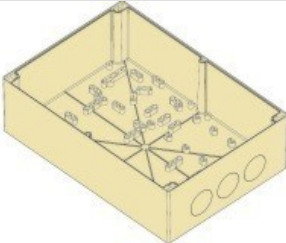

Item No.	Thumbnail	Spare Part	Description	Article Number
10		Switch Box	Standard UP/DOWN	68 STEM SKS 01
20		Switch Box	Runway UP/DOWN	68 STEM SKS 02
30		Cover	317x217mm Standard	031028 00015 0
40		Cover	357x257mm Flush-Mounted	031028 00016 0
50		Cover	397x277mm Standard Runway	031028 00017 0
60		Antenna Holder		02 04 05840
70		Antenna		52 0521
80		Extension	20m Antenna	61 IW7E AN20

Item No.	Thumbnail	Spare Part	Description	Article Number
90		Main Contactor	5.5kW 24VDC	50 0198
100		Main Switch	4-pin 25A	50 1002
110		Push Rod	14.5x3mm	51 0623
120		Membrane Keyboard	Up - Down	51 1144
130		Membrane Keyboard	8 Buttons	51 1145
140		Protective Conductor	4.0mm 300mm lg. Ge/gn	51 4304
150		Tension Spring Clip	ST 4	51 5020
160		Tension Spring Clip	STTB 4-PV	51 5026


Item No.	Thumbnail	Spare Part	Description	Article Number
170		Tension Spring Clip	ST 4-PE	51 5027
180		Fuse Terminal	10/SI 5x20	51 5050
190		End Cover	D-ST 4	51 5064
200		Bridge	2-pin ST4	51 5077
210		Hardlock	4 MB	52 0541
220		Printed Circuit Board	MAH CAN I8	52 0544
230		Printed Circuit Board	MAH CAN RPF	52 0546
240		Printed Circuit Board	MAH CAN RP	52 0547

Item No.	Thumbnail	Spare Part	Description	Article Number
250		Printed Circuit Board	MAH HS0405	52 0556
260		Printed Circuit Board	MAH HS0812	52 0557
270		Printed Circuit Board	MAH HT08	52 0558
280		Adapter Piece	SMA/BNC 90	53 0375
290		Polyester Cord	400mm	53 2198
300		Cable Entry	KEL-DP	53 2749
310		Spacer Bushing	10mm	53 2919
320		End Holder	TS 35	53 3047









Item No.	Thumbnail	Spare Part	Description	Article Number
330		Fuse	T 3.15 A	53 3065
340		Fuse	T 10 A	53 3066
350		Terminal Strip	2-pin	53 3302
360		Terminal Strip	3-pin	53 3303
370		Terminal Strip	24-pin	53 3332
380		Terminal Strip	2-pin	53 3372
390		Terminal Strip	3-pin	53 3373
400		Terminal Strip	4-pin	53 3374









Item No.	Thumbnail	Spare Part	Description	Article Number
410		Terminal Strip	5-pin	53 3375
420		Terminal Strip	8-pin	53 3378
430		Terminal Strip	12-pin	53 3380
440		Terminal Strip	16-pin	53 3382
450		Plastic Casing	320x220x120mm	53 4171
460		Plastic Casing	400x280x120mm	53 4172
470		Label	Inspection Label	54 1403
480		Label	Short Operating Instructions	54 1529

Item No.	Thumbnail	Spare Part	Description	Article Number
490		Label	1 - 16	54 2081
500		Label	1 - 24	54 2082
510		Label	+S	54 5020
520		Power Supply	24VDC 12VAC	56 0001
530		Power Supply	230V, 24VDC 5,0A 120W	56 0081
540		Printed Circuit Board	MAH CAN AM8	58 2781
550		Flat Cable Connection	CAN	61 CAN FK06 ST02
560		Flat Cable Connection	CAN	61 CAN FK06 ST07


Item No.	Thumbnail	Spare Part	Description	Article Number
570		HF Connecting Cable	700mm	61 DUO9 HFKA
580		Cable Harness	Standard Box, Small	61 STEM KA10
590		Cable Harness	Standard Box, Big	61 STEM KA20

6.1.1 Switch Box (68 AST FU)







Item No.	Thumbnail	Spare Part	Description	Article Number
10		Power Supply	24VDC 12VAC	56 0001
20		Main Switch	4-pin 25A	50 1002
30		Label	Attention	54 2136
40		Main Contactor	4.0kW 24VDC	50 0194
50		Suppressor	K-Serie 24V	50 0040
60		Fuse Terminal	10/SI 5x20	51 5050
70		Fuse	T 1.6 A	53 3064
80		Tension Spring Clip	ST 4	51 5020

Item No.	Thumbnail	Spare Part	Description	Article Number
90		Tension Spring Clip	ST 4-PE	51 5027
100		Bridge	3-pin ST4	51 5082
110		Warning Cover	ST 4	51 5105
120		End Cover	D-ST 4	51 5064
130		End Holder	TS 35	53 3047
140		Printed Circuit Board	MAH CAN RPF	52 0546
150		Bluetooth Antenna	2.4GHZ	52 0821
160		Terminal Strip	12-pin	53 3380





Item No.	Thumbnail	Spare Part	Description	Article Number
170		Label	1 - 4	54 2084
180		Label	1 - 16	54 2081
190		Terminal Strip	2-pin	53 3372
200		Screwed Cable Joint	M32 4x6mm	53 2793
210		Screwed Cable Joint	M32 11-21.0	53 2758
220		Plastic Nut	M32x1.5	53 2784
230		Screwed Cable Joint	M25 9-16.0	53 2757
240		Plastic Nut	M25x1.5	53 2783

Item No.	Thumbnail	Spare Part	Description	Article Number
250		Mounting Pedestal	natural	53 2103









6.2 Lifts








Item No.	Thumbnail	Spare Part	Description	Article Number
10		Proximity Switch	M12/4mm	51 3004
20		Branch Box		53 2039
30		Fastening Clamp	36mm	53 2093
40		Solenoid Valve Connector	with Cable Type A	53 2165
50		Solenoid Valve Connector	with Cable Type A	53 2202
60		Screwed Cable Joint	M20 4-9.0	53 2753
70		Cable Entry	KEL-DP 32/10	53 2769
80		Plastic Nut	M20x1.5	53 2782

Item No.	Thumbnail	Spare Part	Description	Article Number
90		Plastic Nut	M32x1.5	53 2784
100		Screwed Cable Joint	M25 2x8mm	53 2791
110		Screwed Cable Joint	M32 4x8mm	53 2794
120		Terminal Strip	12-pin	53 3051
130		Label	+A	54 5017
140		Label	+B	54 5018
150		Solenoid Valve Connector	with Cable	61 SERV KAMV
160		Branch Box		61 STEM MAD0 V10

Item No.	Thumbnail	Spare Part	Description	Article Number
170		Cable	Control Cable 20.0m	61 STEM ST20
180		Limit Switch	with Cable	DV30.18-030
190		Motor Cable	10m	ZSJ35.19-030
200		Protective Conductor	Ge/gn 4,0 10000mm	ZSJ35.19-040

6.3 Options



Item No.	Thumbnail	Spare Part	Description	Article Number
10		Relay	24V AC/DC	50 0081
20		Limit Switch		51 0317
30		Pushbutton	Neutral	51 0500
40		Contact Element	NO Contact 3-4; Front 10	51 0555
50		Mounting Adapter	Front	51 0561
60		Label Holder	f. Lable	51 0581
70		Button Plate	black	51 0590
80		Light Barrier	24-240V	51 3093

Item No.	Thumbnail	Spare Part	Description	Article Number
90		Branch Box		53 2470
100		Socket		53 0108
110		Branch Box		53 2035
120		Seal Nipple	PG 11	53 2056
130		Solenoid Valve Connector	with Cable Type A	53 2165
140		Solenoid Valve Connector	with Cable, Type B	53 2167
150		Rubber Protection	f. Radio Hand Lamp	53 2192
160		Branch Box		53 2467

Item No.	Thumbnail	Spare Part	Description	Article Number
170		Terminal Strip	Label	53 3052
180		Terminal Strip	5-pin	53 3375
190		Automatic Circuit Breaker	B16A 1-pin	53 3610
200		Label	Axle Jack	54 4107
210		Remote Control		61 KAFB 01
220		Cable Harness	Emergency Lowering	61 NOAB KA01
230		Control Unit	MAH HS0405	61 STEM BEHS
230.1		Membrane Keyboard	Up - Down	51 1144

Item No.	Thumbnail	Spare Part	Description	Article Number
230.2		Label	+S1	54 5021
230.3		Printed Circuit Board	MAH HS0405	52 0556
230.4		Terminal Strip	2-pin	53 3302
230.5		Main Switch	4-pin 25A	50 1002
230.6		Screwed Cable Joint	M25 9-14.0	53 2756
230.7		Plastic Nut	M25x1.5	53 2783
230.8		Push Rod	14.5x3mm	51 0623
240		Foot Control	w/o Wheel-Free Jack, w/o Axle Jack	61 STEM FUBE V2

Item No.	Thumbnail	Spare Part	Description	Article Number
		Foot Control	w. Wheel-Free Jack, w/o Axle Jack	61 STEM FUBE V3
		Foot Control	w/o Wheel-Free Jack, w. Axle Jack	61 STEM FUBE V4
		Foot Control	w. Wheel-Free Jack, w. Axle Jack	61 STEM FUBE V5
250		Liquid Level Indicator		61 STEM WAPE V3
260		Radio Torch		67 FUHA
260.1		Radio Torch	w/o Storage Battery	61 FUHA
260.2		Storage Battery	14.4V	52 2241
260.3		Battery Charger	f. Radio Hand Lamp	52 2242

Item No.	Thumbnail	Spare Part	Description	Article Number
260.4		Container	f. Radio Torch	23000039
260.5		Container	Hand Lamp	02008 00048 0